

# Index

<i>Index</i> .....	1
<i>Contact Us</i> .....	2
<i>Overview</i> .....	3
<i>Medeco<sup>3</sup> Overview</i> .....	4
<i>Key Control</i> .....	6
<b>NEXGEN</b>	
<i>Electronic Locking System</i> .....	7
<i>T-handle Cylinder</i> .....	9
<i>Cam Locks</i> .....	11
<i>NEXGEN Parking Meter Lock</i> .....	13
<i>NEXGEN Remote Key Programmer</i> .....	14
<i>NEXGEN Removable Plug Lock</i> .....	15
<b>Cam Locks</b>	
<i>Cam Locks</i> .....	17
<i>Cam Locks - Removable Core</i> .....	22
<i>MVP Cam Locks</i> .....	26
<b>Extension Locks</b>	
<i>Extension Locks</i> .....	40
<b>Vending Locks</b>	
<i>T-handle Cylinders</i> .....	47
<i>(Also see NEXGEN T-handle cylinders p.9)</i>	
<i>T-handles and T-handle Inserts</i> .....	51
<i>Removable Plug Locks</i> .....	55
<b>Gaming Locks</b>	
<i>DuraCam</i> .....	59
<i>DuraCam II Removable Core</i> .....	63
<b>Switch Locks</b>	
<i>Switch Locks</i> .....	68
<i>Rotary Switch Locks</i> .....	72
<b>Furniture Locks</b>	
<i>Cabinet Locks</i> .....	75
<i>Plunger Locks</i> .....	82
<i>Showcase Locks</i> .....	85
<b>Padlock</b>	
<i>Metrolock</i> .....	89
<i>Medeco Padlocks</i> .....	92
<b>Parking Locks</b>	
<i>Mechanical Parking Locks</i> .....	97
<i>Integrated Electronic Vault Lock</i> .....	98
<i>Electronic Vault Lock</i> .....	99
<b>Payphone Locks</b>	
<i>Mechanical Payphone Locks</i> .....	100
<b>Door Security</b>	
<i>Door Security</i> .....	101

# Contact Information

## *Medeco Customer Service*

### U.S. Customers - Industrial Security

**Phone:** 888-633-3261 or 800-280-1630

**Mailing address:**

Medeco Security Locks, Inc.  
3625 Allegheny Drive  
P.O. Box 3075  
Salem, VA 24153  
Attn: Industrial Security Customer Service

**Fax:** 800-280-1660

**E-mail:** industrialsecurity@medeco.com

**Hours of operation:** Monday - Friday,  
8:00 a.m. - 5:00 p.m. EST

### Canada Customers

#### **ONTARIO**

**Phone:** 519-888-7000

**Toll-free (in Canada):** 1-888-633-3264

**Mailing address:**

Medeco Canada  
141 Dearborn Place  
Waterloo ON, Canada N2J 4N5  
Attn: Customer Service

**Fax:** 1-888-263-3326 or 519-888-6134

**E-mail:** medecocanada@medeco.com

**Hours of operation:** Monday - Friday,  
7:30 a.m. - 5:00 p.m. EST

#### **MONTREAL**

**Phone:** 1-514-341-1144

**Toll-free (in Canada):** 1-888-327-2027

**Mailing address:**

Medeco Montreal  
4141 rue Sere  
Ville St. Laurent, Quebec H4T 2A3

**Fax:** 1-514-341-2424

**E-mail:** medecomontreal@medeco.com

**Hours of operation:** Monday - Friday,  
7:30 a.m. - 5:00 p.m. EST

### Customers Outside the U.S. & Canada

**Phone:** 540-380-1603 or 540-380-1741

**Mailing address:**

Medeco Security Locks, Inc.  
P.O. Box 3075  
Salem, VA 24153  
Attn: International Customer Service

**Fax:** 540-380-1634

**E-mail:** export@medeco.com

**Hours of operation:** Monday - Friday,  
7:00 a.m. - 5:00 p.m. EST

# Overview

Medeco High Security Locks began in 1968 with the invention of a unique locking principle using angled key cuts and the elevation and rotation of special pin tumblers to provide millions of different key combinations. This invention produced a cylinder that was highly resistant to virtually all forms of attack, and created an unrivaled level of security. The angled cuts on the key and the cylinder design were so unique that a utility patent was issued. That patent protected the Medeco cylinder and the key so no other manufacturer could produce them. The principle of exclusive manufacturing rights over key blanks was successfully defended in court many times over, setting the basis for an entirely new kind of key control.



In 1985, Medeco introduced a new design of high security lock with the invention of the Biaxial® Locking System. Like the original, the Biaxial system uses a patent on the key and the cylinder to provide proven protection against the unauthorized manufacture and duplication of key blanks. Additionally the Biaxial system is able to provide even greater master keying capability and utilizes hardened steel inserts to defend against virtually any form of physical attack.

In 2003, Medeco introduced the new Medeco<sup>3</sup>® locking system. Building on the success of the Original and Biaxial design, Medeco<sup>3</sup> offers a new patented system, and an increased level of security through the use of three distinct locking points. This design provides a heightened resistance to physical attack and raises the number of unique codes available for master key systems. Additionally, the Medeco<sup>3</sup> key design allows for a thicker, stronger key, while still offering the highest level of protection against unauthorized duplication.

Medeco locks are manufactured out of a facility in Salem, Virginia, employing approximately 400 people. The production employees are set up into different teams based on product type. This system cross-trains workers beginning with raw materials and ending with the production of a final product, assuring a high quality product, produced in the shortest length of time. Medeco is certified ISO 9001.

With experienced product designers, engineers, machinists and toolmakers, Medeco is capable of assisting with the design of custom products and providing rapid prototyping to assure proper fit into any application. Medeco's commitment to custom manufacturing has resulted in a division devoted exclusively to supporting OEM's and special market applications: the Industrial Security Division.

The Industrial Security Division of Medeco provides market specific applications to industries such as vending, parking, gaming and pay telephone. The division is also responsible for a wide range of markets scattered throughout a diverse OEM customer base. Medeco locks are currently used on ATM machines, club lockers, utility cabinets, safes and transit collection systems, just to name a few. If your project requires a special application lock not listed in this catalog, contact Medeco directly at 1-888-633-3261 for a custom quote.

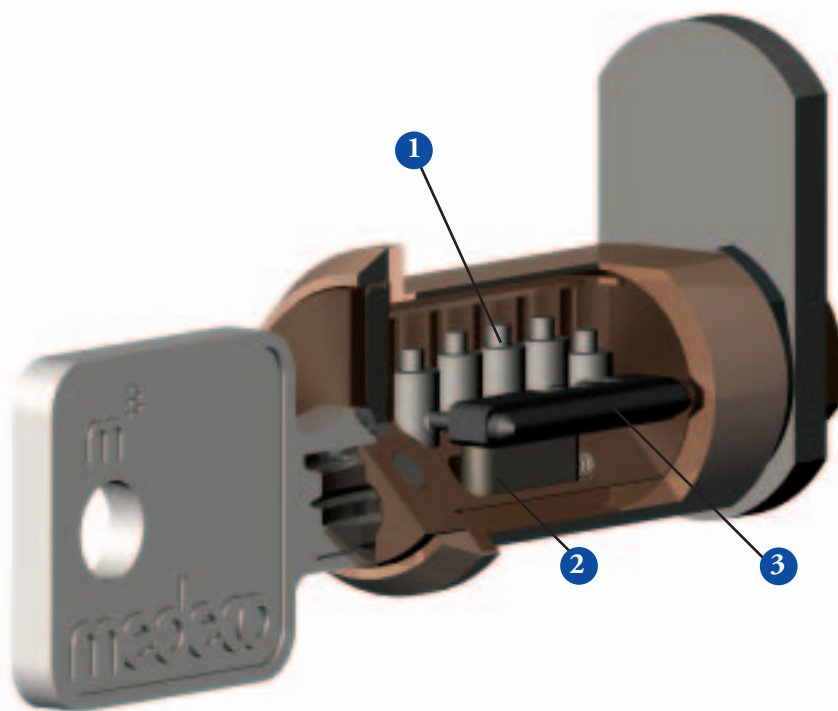
# Medeco<sup>3</sup>® Technology

Medeco<sup>3</sup> is the latest high security technology introduced by Medeco. The Medeco<sup>3</sup> design incorporates an additional level of locking security in the form of a key activated slider mechanism. This slider mechanism provides an additional locking point by blocking the sidebar until an authorized key is inserted into the cylinder. This concept creates a three-point locking system within the cylinder preventing its operation until all three locking elements are properly aligned.

## Benefits of Medeco<sup>3</sup>

- Thicker, stronger key designed to prevent breakage
- Improved pick resistance
- Expanded master key capability
- Improved torque strength

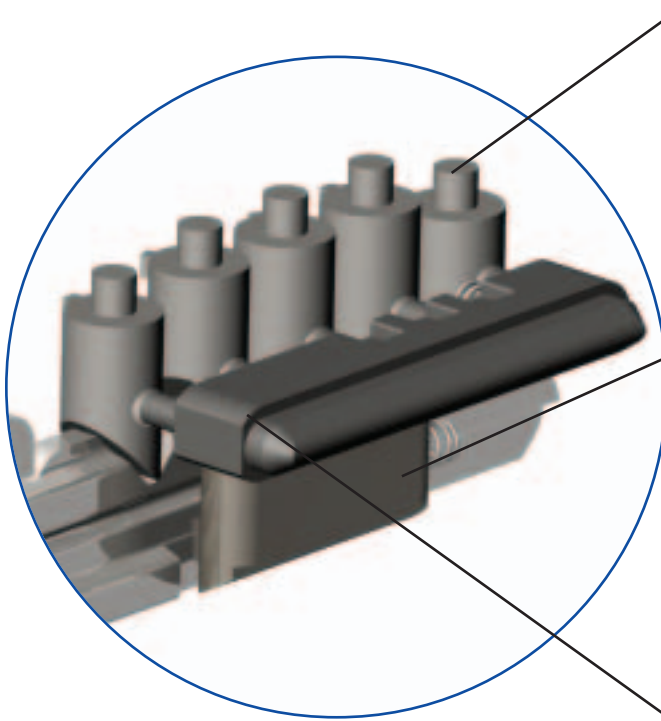
## Three Locking Points



Item	Description
1	Tumbler pins
2	Slider
3	Sidebar

# Medeco<sup>3</sup>® Technology

## Three Distinctive Locking Points



### Tumbler Pins

Each Medeco<sup>3</sup> cylinder utilizes the unique Biaxial<sup>®</sup> pin tumbler system which requires elevation and rotation before unlocking can occur. Accurate positioning of the tumbler pins requires special angled key cuts not possible on standard key cutting equipment.

### Slider

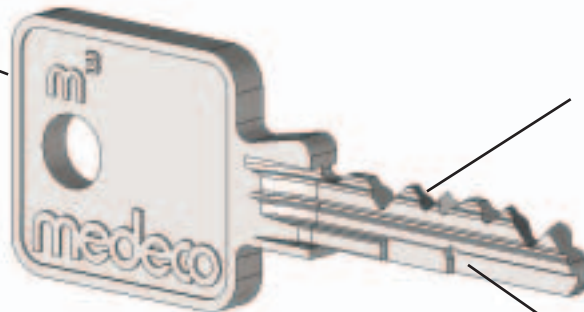
The Medeco<sup>3</sup> slider must also be accurately positioned by the key before unlocking can occur. This position is controlled by a special side bitting on the key. The addition of the Medeco<sup>3</sup> slider improves pick, drill, and resistance to other forms of physical attack. The slider also greatly enhances master pinning capabilities.

### Sidebar

Once the tumbler pins and slider have been moved into precise position by the correct key, the sidebar is released and unlocking can occur.

## Key Features

Thicker key provides added durability



Angled key cuts elevate and rotate the tumbler pins into position.

This special cut on the side of the key will push the slider into the correct alignment with the sidebar.

# Key Control

Key control is often the most important feature that Medeco® can offer to OEM customers and industrial end users. Most ordinary keys can be duplicated at numerous retail outlets with no identification required. Medeco gives end users the power to control key duplication and prevent unauthorized copies. Several factors contribute to the strength of Medeco key control:

1. Patent protected high security designs protect against unauthorized manufacturing and distribution of Medeco key blanks.
2. Medeco products are available through professional equipment manufacturers, market specific distributors, and factory authorized service centers. Key cutting services are performed only by those suppliers who have contractual agreements with Medeco to uphold strict key security guidelines.
3. Medeco keys require precise angled cuts which cannot be reproduced on ordinary key machines. Key blanks are available only to authorized Medeco suppliers operating the proper equipment under contract with Medeco.
4. Medeco<sup>3</sup> keys incorporate a factory cut on all key blanks. These cuts are required to operate a Medeco<sup>3</sup> cylinder and are performed only at the Medeco factory in Salem, Virginia.

A wide variety of key control programs are available to provide manufacturers, distributors, and end users options that best meet their needs. All programs fall under the strict key control guidelines to ensure ongoing security.

**Commercial Keyway Programs** - give end users flexibility for obtaining extra keys by allowing key duplication at a wide variety of professional outlets including authorized locksmiths.

**Card Programs** - offer end users greater control over key duplication. Identification cards issued with the original keys must be presented by authorized personnel to obtain replacement / duplicate keys.

**Service Center Programs** - offer end users fast response when they need lock and keys. Factory Authorized Medeco Service Centers are full service distributors servicing a wide variety of industrial markets. Key control programs are strictly upheld and duplicate keys are provided only with proper authorization.

**Factory Restricted Programs** - provide the highest level of security to end users. Keys are only duplicated at the Medeco factory and require proper authorization. Key blanks are not available to any Medeco resellers.

**OEM Manufacturer Programs** - are designed to meet the very specific needs of our OEM customers. Depending on the security needs of the end user these programs can range from Commercial up to Factory Restricted.



# NEXGEN® Electronic Locking System

The NEXGEN system was developed to provide access control, audit capability and physical security in one self contained locking solution. The technology is currently available in a cam lock and a T-handle cylinder and has the ability to be used in a variety of different locks and applications. No hardwiring is required of the lock because it derives all of its power from the key, and installation is the equivalent of installing a mechanical cylinder.



All NEXGEN products have the ability to be linked together through your system to provide full integration. The NEXGEN system gives you the ability to program who gets into your equipment and when they get in. The system will also track all activities, including authorized openings and unauthorized attempts to open the lock.

The NEXGEN lock is built to the same physical security standards as the Medeco mechanical line and provides strong resistance to all forms of physical attack, including pulling and drilling.

## Benefits:

- ▼ Control access to your equipment.
- ▼ Track all openings and attempted openings of the lock.
- ▼ Strong resistance to physical attack.
- ▼ No hardwiring allows for easy installation.
- ▼ Electronic rekeying provides immediate response to lost or stolen keys.
- ▼ Power comes from the key and not the equipment.

## Applications:

NEXGEN can be customized to fit a variety of different applications, including those requiring cam locks or T-handle cylinders.

## Warranty:

One year manufacturer's warranty

## Technical Information:

Lock uses hardened steel inserts to defy drilling.

A single key can access up to 11,000 locks.

Each lock can store up to 2,000 audit events.

Keys can be programmed to read up to 6,000 audit events from the locks.

Key uses off-the-shelf batteries to provide power for up to 8,000 operations.

Hardened Key tip is field replaceable.

Software is network compatible.

## NEXGEN BASICS

A basic NEXGEN system consists of a software Host Kit, Collector Keys, and locks. Software options, along with keys are listed on this page. Locks and accessories are featured in subsequent sections.

### Software and Host Kits

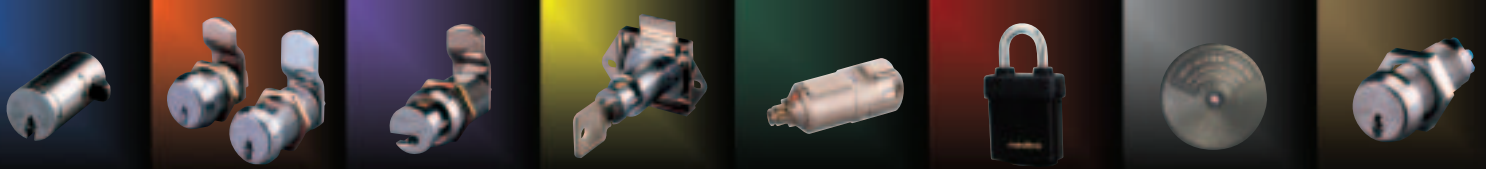
All Host Kits contain software, a Programming Cradle with Cable, an ADMIN key, and a Users Manual. If you are using NEXGEN locks in a vending or parking application, choose the industry specific versions. For all other applications, use NEXGEN Security Manager.

Model #	Description
EV-4504	Software Host Kit for the Vending Industry. Includes VendSecure™ SQL Software.
LT-809001	VendSecure SQL Technical Users Manual. (One copy included with Host Kit).
EV-4509	Software Host Kit for the Parking Industry. Includes NEXGEN Security Manager – Parking Edition software.
LT-806022	NEXGEN Security Manager – Parking Edition. Technical Users Manual. (One copy included with Host Kit).
EV-4508	Software Host Kit. Includes NEXGEN Security Manager software.
LT-806023	NEXGEN Security Manager Technical Users Manual. (One copy included with Host Kit).
EV-4505	Demo Software Disk. VendSecure SQL
EV-4512	Demo Software Disk. NEXGEN Security Manager – Parking Edition.
EV-4513	Demo Software Disk. NEXGEN Security Manager

### Electronic Keys

MODEL #	Description
EV-5502	Collector Key. For use with NEXGEN locks. Includes CRV3 lithium battery and lanyard.
EV-5504	ADMIN Key. Electronic key with unique system codes produced for each NEXGEN customer. Used for registering software, importing locks and key codes, and administrative functions (One ADMIN key is included with each software host kit).
EV-5502T	Test Key. Used by NEXGEN Service Centers for testing locks.





# NEXGEN® T-Handle Cylinder

NEXGEN is a comprehensive loss prevention system incorporating Access Control, Audit Capability, Physical Security and Route Management.

The NEXGEN cylinder retrofits any NAMA standard T-handle in minutes. The combination of solid steel components and hardened anti-drill pins protect your assets from physical attack.

The programmable NEXGEN key only grants access to the lock when you decide. And since you set the expiration date, exposure due to a lost key is virtually eliminated.

These functions are integrated into the NEXGEN software which provides key management capability that can be customized to meet your specific requirements. The NEXGEN software provides detailed, flexible reports for complete security management.

All NEXGEN products have the ability to be linked together throughout your system to provide full integration. One key can be programmed to open any combination of locks, whether it is a cam lock, T-handle cylinder or removable plug lock.



## Benefits:

- ▼ Protect your revenues by controlling access to your locks.
- ▼ Improve collection efficiency by tracking all openings of the lock.
- ▼ Strong resistance to physical attack.
- ▼ Electronic re-keying reduces your exposure from lost or stolen keys
- ▼ Simple installation saves you valuable service time.

## Applications:

T-handle applications requiring the ability to control when access is allowed and the ability to track when access is attempted. T-handle cylinders can be used in vending machines, bill changers, token dispensers, kiosks, value-add terminals and more

## Warranty:

One year manufacturer's warranty

## Technical Information:

Break away plug face design prevents over torquing.

Plug face and shell are stainless steel and the bolt is hardened steel.

Hardened steel anti-drill pins in plug face and plug.

## Finishes:

26 Satin Chrome finish is standard.

# Ordering Information

EV - 8000 X

Bolt Style

- S = Spring Bolt
- D = Dead Bolt

Note: All cylinders are single key pull. Finish is Satin Chrome (26)

# Technical Drawings

All plug faces and shells are constructed of stainless steel. Plug faces include hardened steel anti-drill pins. All bolts are hardened steel. The EV - 8000S and EV - 8000D conform to NAMA and ASTM dimensional standards.

CYLINDER DIMENSIONS

Model #	Bolt Style	Dimension A (in.)	Dimension B (in.)	Dimension C (in.)
EV-8000S	Spring	1.655	1.430	1.080
EV-8000D	Deadbolt	1.655	1.430	1.080



# NEXGEN Cam Locks

The NEXGEN cam lock is built to the same high security standards as its mechanical counterpart and offers all of the electronic features of the NEXGEN electronic locking system. NEXGEN cam locks are available in lengths of 1 1/8" and 7/8" and use solid steel components to provide superior physical protection.

In addition to the physical protection, the NEXGEN system gives you the ability to program who gets into your locks and when they get in. The system will also track all activity, including unauthorized attempts to open the lock.

These functions are integrated into the NEXGEN software which provides key management capability that can be customized to meet your specific requirements. The NEXGEN software provides detailed, flexible reports for complete security management.

All NEXGEN products have the ability to be linked together throughout your system to provide full integration. One key can be programmed to open any combination of locks, whether it is a cam lock, T-handle cylinder or removable plug lock.



## Benefits:

- ▼ Control access to your equipment.
- ▼ Track all openings and attempted openings of the lock.
- ▼ Strong resistance to physical attack.
- ▼ No hardwiring allows for easy installation.
- ▼ Electronic rekeying provides immediate response to lost or stolen keys.
- ▼ Power comes from the key and not the equipment.

## Applications:

Used when the ability to control and track access is a vital component of your security. Cam lock applications can include computer enclosures, storage cabinets, vending machines, safes, transit equipment, and more.

## Warranty:

One year manufacturer's warranty

## Technical Information:

- Break away plug face design prevents over torquing.
- Lock uses stainless steel plug face, backed by a stainless steel shell and hardened steel bolt.
- Hardened steel anti-drill pins in plug face and plug.
- Available in 1 1/8" and 7/8" lengths.
- Rotation can be clockwise or counterclockwise.
- Single key pull.

## Finishes:

26 Satin chrome finish is standard.

# Ordering Information

EN - 10000X - 2 XX

Length

2 = 7/8"  
3 = 1 1/8"

Rotation

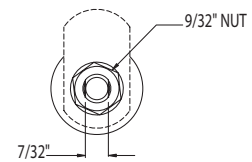
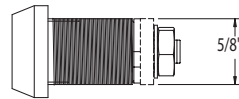
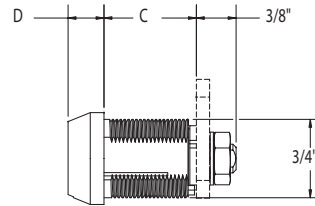
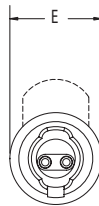
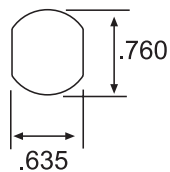
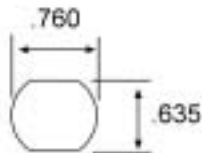
19 = 90° Clockwise  
39 = 90° Counter Clockwise

Note: All cam locks have two mounting flats and single key pulls. Finish is Satin Chrome (26)

# Technical Drawings

## SIZE & MOUNTING DETAIL

Double D Mounting



Size Code	Dimension C (in.)	Dimension D (in.)	Dimension E (in.)
100002	7/8"	11/32"	7/8"
100003	1 1/8"	11/32"	7/8"



# NEXGEN® Parking Meter Lock

Unattended parking meters make tempting targets for thieves, and stolen or misused keys can result in lost revenue that is impossible to trace. That's why so many cities turn to Medeco for complete parking meter protection.

NEXGEN® technology provides a streamlined system for physical security, access control, and accountability. The NEXGEN system is entirely self-contained, eliminating the need for a hand-held computer. The lock contains no mechanical pins and is built to withstand physical attacks such as punching and drilling. Keys can be automatically programmed in groups using the NEXGEN Security Manager – Parking Edition software system.

Keys only open the meters you specify and will not operate outside of their time schedules. Both lock and key hold complete records of every opening – or attempted opening – of the meter. NEXGEN virtually eliminates your exposure due to lost or stolen keys while improving efficiency of your collections.



## Benefits:

- ▼ Control access to every meter.
- ▼ Track all openings and attempted openings.
- ▼ Strong resistance to physical attack.
- ▼ No hardwiring for easy installation.
- ▼ Can be electronically re-keyed for immediate response to lost or stolen keys.

## Applications:

Parking installations that require access control and audit capabilities.

## Warranty:

1 year manufacturer's warranty

## Technical Information:

Available with standard or high capacity brackets.

Plug face and plug use hardened steel inserts to resist drilling.

Lock stores up to 2000 audit events.

## Finishes:

Grey powder coat standard

Black powder coat available as special order

# The NEXGEN® Remote Key Programmer

The NEXGEN® Remote Key Programmer gives you total control over remote sites. It stores up to 16 routes in its on board memory so that when a collector places his key on the programmer, the information will upload automatically.

Now it is no longer necessary to return keys to the host computer to take advantage of the software's extensive management tools. You will have complete control of the keys at any site from a single PC. With the Remote Key programmer you can:

- \* Program and return keys at remote locations,
- \* Produce complete reports of activities occurring at remote sites,
- \* Have locks ready for instant upload at the start of each working day.

The device includes full back up power so that keys can be programmed even during a power failure. The Remote Key Programmer is one more way that NEXGEN gives you total key control and lock management.



## Benefits:

- ▼ Key programming is fully automated - there is no need for a computer or operator at the remote site.
- ▼ The host computer automatically dials the site and manages uploads and downloads - all programming will occur at the time most convenient to you.

## Applications:

Route management and collection operations that manage multiple sites.

## Warranty:

One year manufacturer's warranty

## Technical Information:

Memory will store route data for up to 16 keys

Internal modem is capable of 33k baud

Two line by 16 character backlit LCD provides user feedback

Operates on 9VDC power with supplied wall adapter



# NEXGEN® Removable Plug Lock

The NEXGEN® electronic locking system is available in a variety of formats including the Medeco removable plug lock. The removable plug lock is a hardened steel shell designed to house a NEXGEN T-handle cylinder. Specifically designed for vending equipment, money changers, and fare collection systems, this lock allows access to internal mechanisms when the cylinder is removed.

In addition to physical protection, the NEXGEN system gives you the ability to program who gets into your locks and when they get in. The system will track all activity, including unauthorized attempts to open the lock.

These functions are integrated into the NEXGEN software which provides key management and detailed, flexible reporting for complete security management.

All NEXGEN products can be linked together throughout your system. One key can be programmed to open any combination of locks, whether it is a T-handle cylinder, cam lock, or removable plug lock.



## Benefits:

- ▼ Control access to your equipment.
- ▼ Track all openings and attempted openings of the lock.
- ▼ Strong resistance to physical attack.
- ▼ No hardwiring allows for easy installation.
- ▼ Electronic rekeying provides immediate response to lost or stolen keys.
- ▼ Power comes from the key and not the equipment.
- ▼ Flexible and incorporates existing T-handle cylinder.

## Applications:

Used when the ability to control and track access is a vital component of your security. The NEXGEN Removable Plug Lock was specifically designed for installations where access to a mechanism must be protected. Applications include vending and dispensing equipment, money changers, and fare collection systems.

## Warranty:

One year manufacturer's warranty

## Technical Information:

Shell is hardened steel

Insert is plated brass

Complete package includes shell, insert and nut

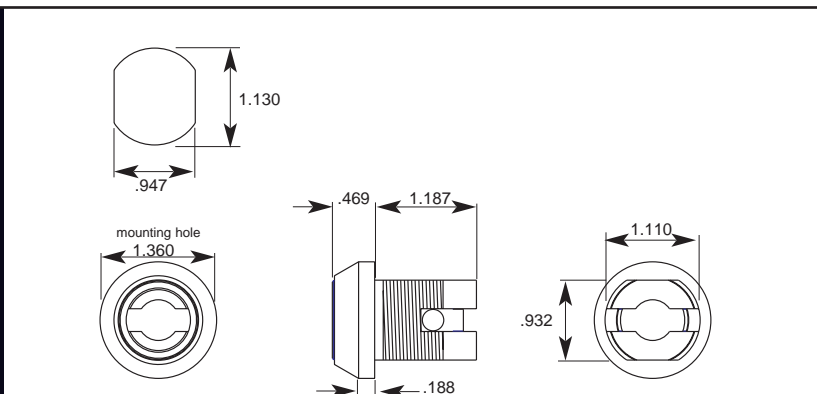
Designed to be used with deadbolt T-handle cylinder (sold separately)

## Finish:

26 Satin Chrome finish is standard.

# Ordering Information

## NEXGEN REMOVABLE PLUG LOCK



### Part #

96-0311

### Flats

Vertical

### Mounting

Surface (tapered bezel)

Finish is Satin Chrome (26)

Cylinder sold separately, requires EV8000D

## NEXGEN® Hardware & Accessories

MODEL #	Description
EV-6402	Programming Cradle. Used for programming NEXGEN keys.
94-0172	Replacement Programmer Pins. Package of eight data contact pins.
EA-200043	Data Cable. 6ft. cable used for connecting programming cradle to serial port.
EA-150073	Programming Kit. Contains Programming Cradle and 6 ft. data cable.
EA-250045	USB to Serial Converter. Used for connecting data cable to USB port.
EA-250046	USB Backup Drive. 160 GB USB drive that can be used for database backup with a NEXGEN standalone software system.
EA-500024	Key Holsters. Rugged black holster with a metal belt clip for carrying one NEXGEN key.
EA-300067	Key Lanyards. Nylon lanyard for attaching to NEXGEN key. (One lanyard is included with each key).
EA-250042	Replacement Key Tip Package. Includes a hardened steel key tip and four mounting screws.
94-0171	Replacement Key Pins. Package of six data contact pins.
EA-250047	Bar Code Scanner. Reliable hand-held laser scanner. Used by NEXGEN software operators for scanning in codes from installation reports and by Service Centers for scanning lock and key codes for codebook generation.
EV-8000T	Test Lock. Used by Service Centers to test NEXGEN keys.
EV-5502T	Test Key. Used by Service Centers to test NEXGEN keys.





# Cam Locks

Medeco® high security cam locks are recognized throughout the world as the standard for protection in a 3/4" diameter lock. Medeco cam locks utilize hardened, stainless steel inserts throughout the cylinder to provide the ultimate defense against drilling, pulling, and other forms of vandal attack. Patented key control programs prevent the unauthorized duplication of keys and maintain system integrity. Keyed alike, keyed different, or master keyed, Medeco offers a complete line of various cam lock sizes and functions to meet your specific needs.



The Medeco<sup>3</sup> unique design provides triple locking action, making the locks virtually pick proof. All Medeco<sup>3</sup> keys and locks are protected under patent, trademark, and copyright laws. Medeco<sup>3</sup> keys may only be duplicated by Medeco or by an authorized Medeco Service Center, and only at your request.

## Benefits:

- ▼ All Medeco cylinders are constructed of durable machined brass components, designed to last the life of your equipment.
- ▼ Hardened stainless steel inserts inside the cylinder provide the ultimate defense against drill, pull, punch, and other forms of physical attack.
- ▼ Unique elevating and rotating tumbler pin system is virtually pick proof.
- ▼ Patented Medeco<sup>3</sup> keys may only be duplicated by Medeco or authorized Medeco Service Center, and only at your request.
- ▼ Medeco cam locks are completely serviceable, and can be re-keyed in case of lost or stolen keys
- ▼ Medeco cam locks can be keyed in with other 60 series products (10 series products may be keyed into existing 60 series systems)
- ▼ Locks can be keyed alike, keyed different, or master keyed depending on your specific needs.
- ▼ Available in all standard lengths, key retained or not, one or two flat, and various rotations.

## Warranty:

Warranted for two years against manufacturer's defects. See Medeco limited Warranty for full details.

**The Medeco cam lock selector is designed to help determine which cam lock is suitable for your application. The selector will take you step by step through the process of picking out a specific cam lock as well as a cam. You may access this tool on our web site at [www.medeco.com](http://www.medeco.com)**

## Applications:

Medeco high security cam locks can be used in any standard 3/4" diameter application and a multitude of markets including:

Safe	Banking	Transit
Communication	Utility	Laundry
Alarm	Data Encryption	
Furniture	Parking	
Access Control	Locker	Vending
Cabinet	Pay Telephone	

## Certification:

UL® 437 Listed

## Technical Information:

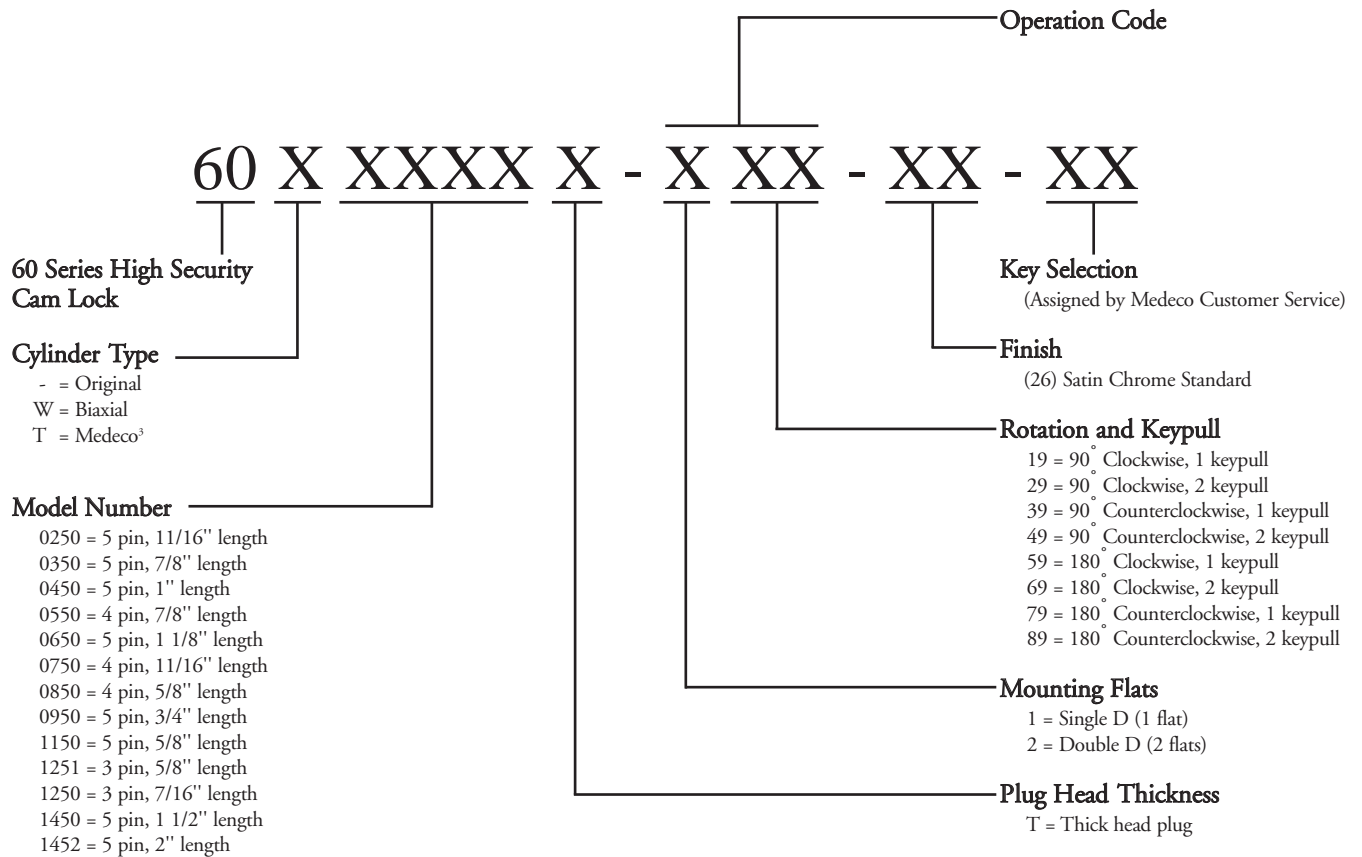
Three, four, and five pin models available depending on size. Available in standard sizes from 7/16" to 2".

One and two flat models available, key retaining or not. Clockwise or counterclockwise rotation, 90° or 180°. Keyed alike, keyed different, or master keyed (four and five pin models) available.

## Finishes:

26 satin chrome finish standard. Other finishes available, depending on volume.

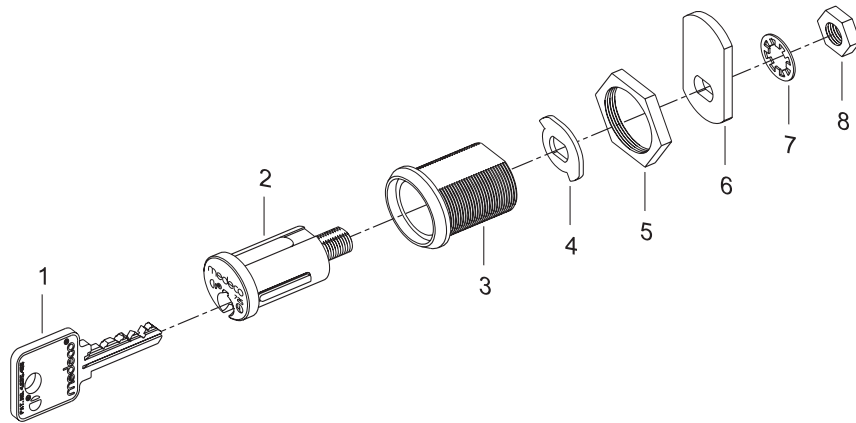
# Ordering Instructions



# Exploded View

All Medeco® high security cam locks are UL® 437 listed and meet all ANSI A156.11 Grade 1 specifications. All Medeco® cam locks are thick head. For Original cam locks, the thick head is required to key in with door security products. Medeco 60 series cam locks are sold less keys. Specify number of keys under a separate line item. Cams sold separately, reference cams and accessories section to select proper cam type.

## HIGH SECURITY CAM LOCK



ITEM	DESCRIPTION
1	Key (sold separately)
2	Plug Assembly
3	Shell
4	Stop
5	3/4" Nut
6	Cam (sold separately)
7	Lock washer
8	9/32" Nut

# Technical Drawings

## SIZES

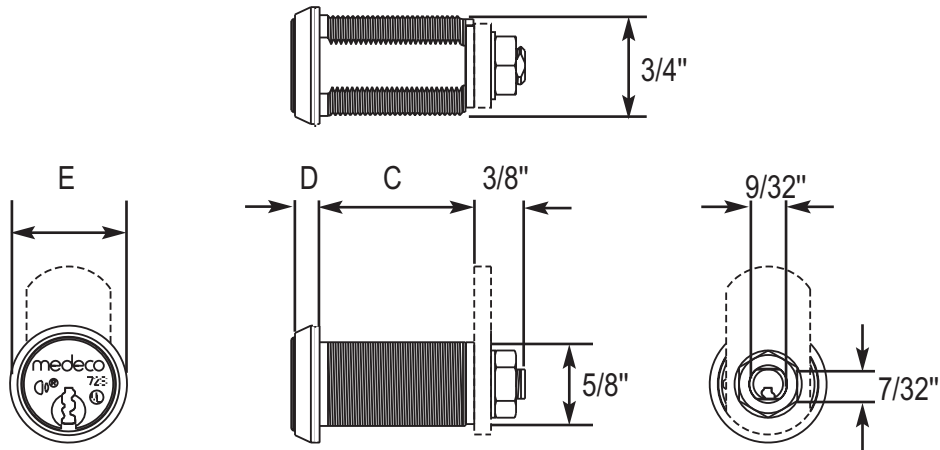


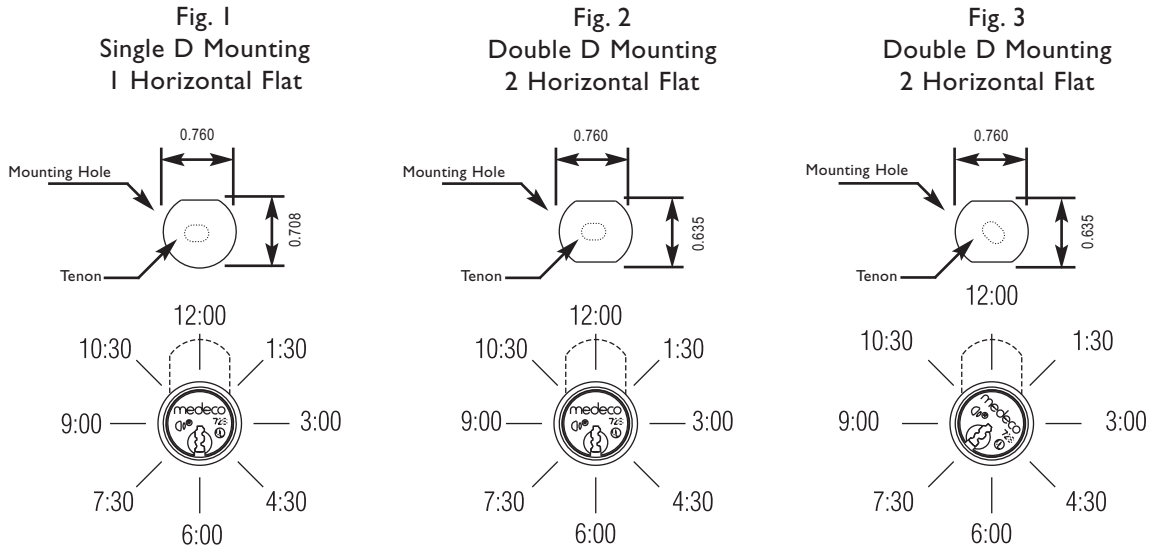
Table 1

Size Code	# of Pins	Dimension C (in.)	Dimension D (in.)	Dimension E (in.)
0250	5	11/16"	7/16"	1"
0350	5	7/8"	5/16"	7/8"
0450	5	1"	3/16"	7/8"
0550	4	7/8"	3/16"	7/8"
0650	5	1 1/8"	3/16"	7/8"
0750	4	11/16"	5/16"	7/8"
0850	4	5/8"	3/8"	7/8"
0950	5	3/4"	3/8"	7/8"
1150	5	5/8"	1/2"	1"
1250	3	7/16"	3/8"	1"
1251	3	5/8"	3/16"	7/8"
1450	5	1 1/2"	3/16"	7/8"
1452	5	2"	5/16"	7/8"

Standard sizes described. Consult Medeco® customer service for variations not described

# Mounting Detail & Operation Codes

Keyway and tenon shown in locked positions relative to mounting flats. Exceptions - 149 and 249 functions, rotate 90° clockwise for locked positions.



Cylinders shown in locked positions.

Table 2

Operation Code	# of Mounting Flats	Reference Fig.	Direction	Keyway Rotation			# of Keypulls
				Travel	Locked	Unlocked	
119	1	1	Clockwise	90°	6:00	9:00	1
129	1	1	Clockwise	90°	6:00	9:00	2
139	1	1	Counterclockwise	90°	6:00	3:00	1
149	1	1	Counterclockwise	90°	9:00	6:00	2
159	1	1	Clockwise	180°	6:00	12:00	1
169	1	1	Clockwise	180°	6:00	12:00	2
179	1	1	Counterclockwise	180°	6:00	12:00	1
189	1	1	Counterclockwise	180°	6:00	12:00	2
219	2	2	Clockwise	90°	6:00	9:00	1
229	2	3	Clockwise	90°	7:30	10:30	2
239	2	2	Counterclockwise	90°	6:00	3:00	1
249	2	3	Counterclockwise	90°	10:30	7:30	2
259	2	2	Clockwise	180°	6:00	12:00	1
269	2	2	Clockwise	180°	6:00	12:00	2
279	2	2	Counterclockwise	180°	6:00	12:00	1
289	2	2	Counterclockwise	180°	6:00	12:00	2



# Cam Locks - Removable Core

Medeco® high security cam locks are also available with a removable core feature. This feature allows cores to be changed out in seconds, to provide an entirely new keying combination. For applications that may require instantaneous re-keying due to lost or stolen keys, or where periodic re-keying is done as a matter of good business practice, Medeco removable core cam locks save valuable time and money. Removable core cam locks offer the same high security features of a Medeco cam lock with the convenience of a removable core.



The Medeco<sup>3</sup> unique design provides triple locking action, making the locks virtually pick proof. All Medeco<sup>3</sup> keys and locks are protected under patent, trademark, and copyright laws. Medeco<sup>3</sup> keys may only be duplicated by Medeco or by an authorized Medeco Service Center, and only at your request.

## Benefits:

- ▼ Removable cores can be changed out in seconds to provide a new, secure keying combination.
- ▼ All Medeco cylinders are constructed of durable machined brass components, designed to last the life of your equipment.
- ▼ Hardened stainless steel inserts inside the cylinder provide the ultimate defense against drilling and other forms of physical attack.
- ▼ Unique elevating and rotating tumbler pin system is virtually pick proof.
- ▼ Patented Medeco<sup>3</sup> keys may only be duplicated by Medeco or authorized Medeco Service Center, and only at your request.
- ▼ Medeco cam locks can be keyed in with other 60 series products (10 series products may be keyed into existing 60 series systems)
- ▼ Locks can be keyed alike, keyed different, or master keyed depending on your specific needs.
- ▼ Available in various lengths and rotations

## Warranty:

Warranted for two years against manufacturer's defects. See Medeco limited Warranty for full details

## Applications:

Medeco high security removable core cam locks can be used in any standard 3/4" diameter application and a multitude of markets including:

- |                |                 |         |
|----------------|-----------------|---------|
| Safe           | Banking         | Transit |
| Communication  | Utility         | Lockers |
| Alarm          | Data Encryption |         |
| Access Control | Cabinet         |         |

## Certification:

UL® 437 Listed.

## Technical Information:

Four and five pin models available depending on size.

Available in three standard sizes, 1 1/16", 7/8", and 1 1/8".

Two flat models available, key retaining only.

Clockwise or counterclockwise rotation, 90° or 180°.

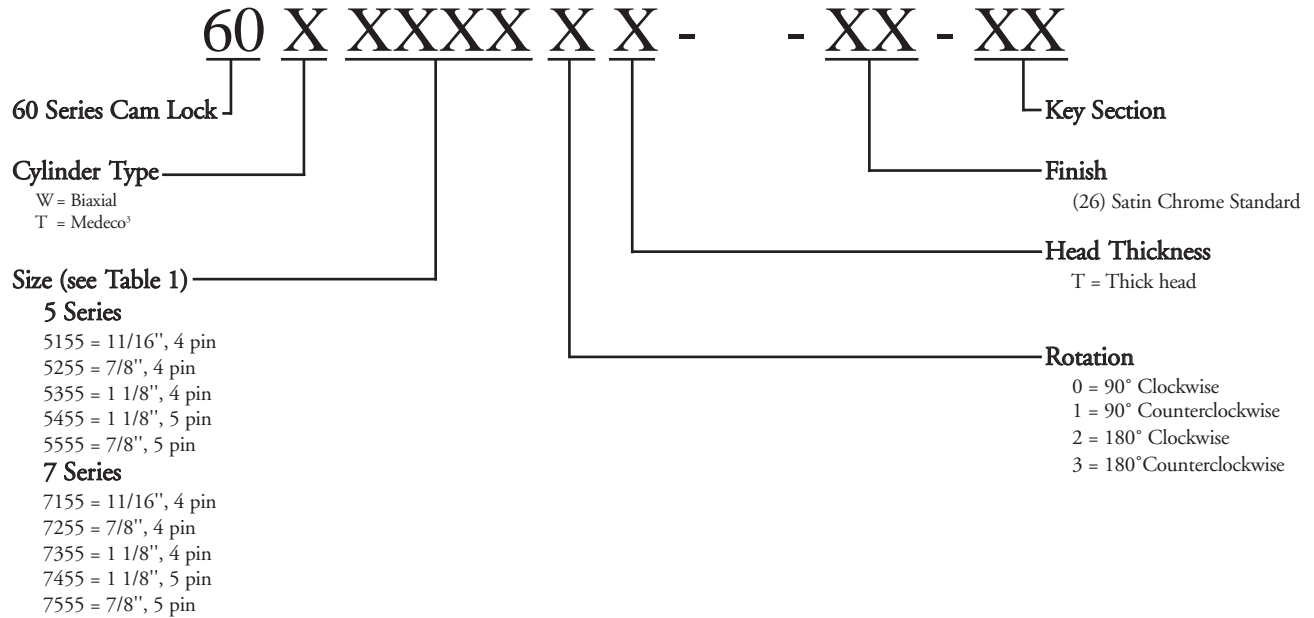
Keyed alike, keyed different, or master keyed.

## Finishes:

26 satin chrome finish standard. Other finishes available, depending on volume.

The Medeco cam lock selector is designed to help determine which cam lock is suitable for your application. The selector will take you step by step through the process of picking out a specific cam lock as well as a cam. You may access this tool on our web site at [www.medeco.com](http://www.medeco.com)

# Ordering Instructions



## What is the difference between 5 and 7 Series locks?

The 7 Series is the latest generation of Removable Core Cam Locks.

The 5 Series locks require a different core for clockwise or counterclockwise applications. If you are adding to an existing system that uses 5 Series locks, we recommend that you continue to order 5 Series product.

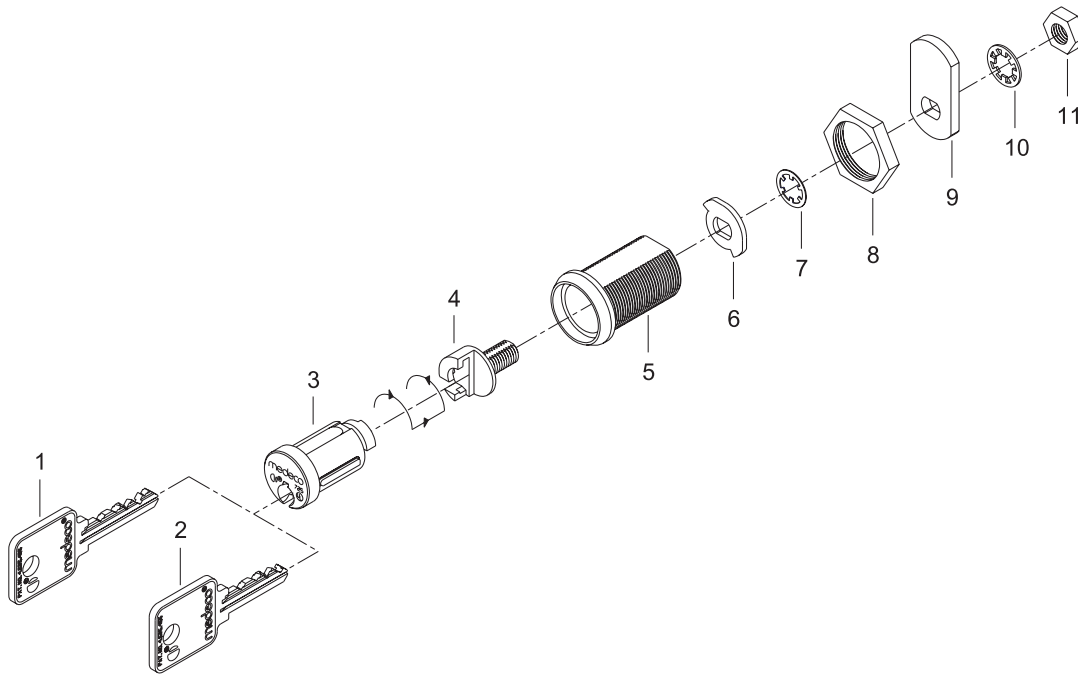
The 7 Series locks use the same core for all applications. If you are ordering product for a new system or application, we recommend the 7 Series. You will never have to worry about selecting the proper core for an application, and you will only have to stock one type of core.

When ordering a complete 5 or 7 Series Cam Lock, you must still specify the rotation so that the actuators and stop washers will be assembled properly. However, all 7 Series locks will use the same replacement core.

# Exploded View

All Medeco® high security removable core cam locks are key retaining only. All Medeco high security removable core cam locks are UL 437 Listed and meet all ANSI A156.11 Grade 1 specifications. All Medeco<sup>3</sup>® cam locks are thick head. For Original series cam locks, thick head is required to key in with door security products. Medeco 60 series cam locks are sold less keys, specify number of keys required under separate line item. Cams sold separately, reference Cams and Accessories section to select proper cam type.

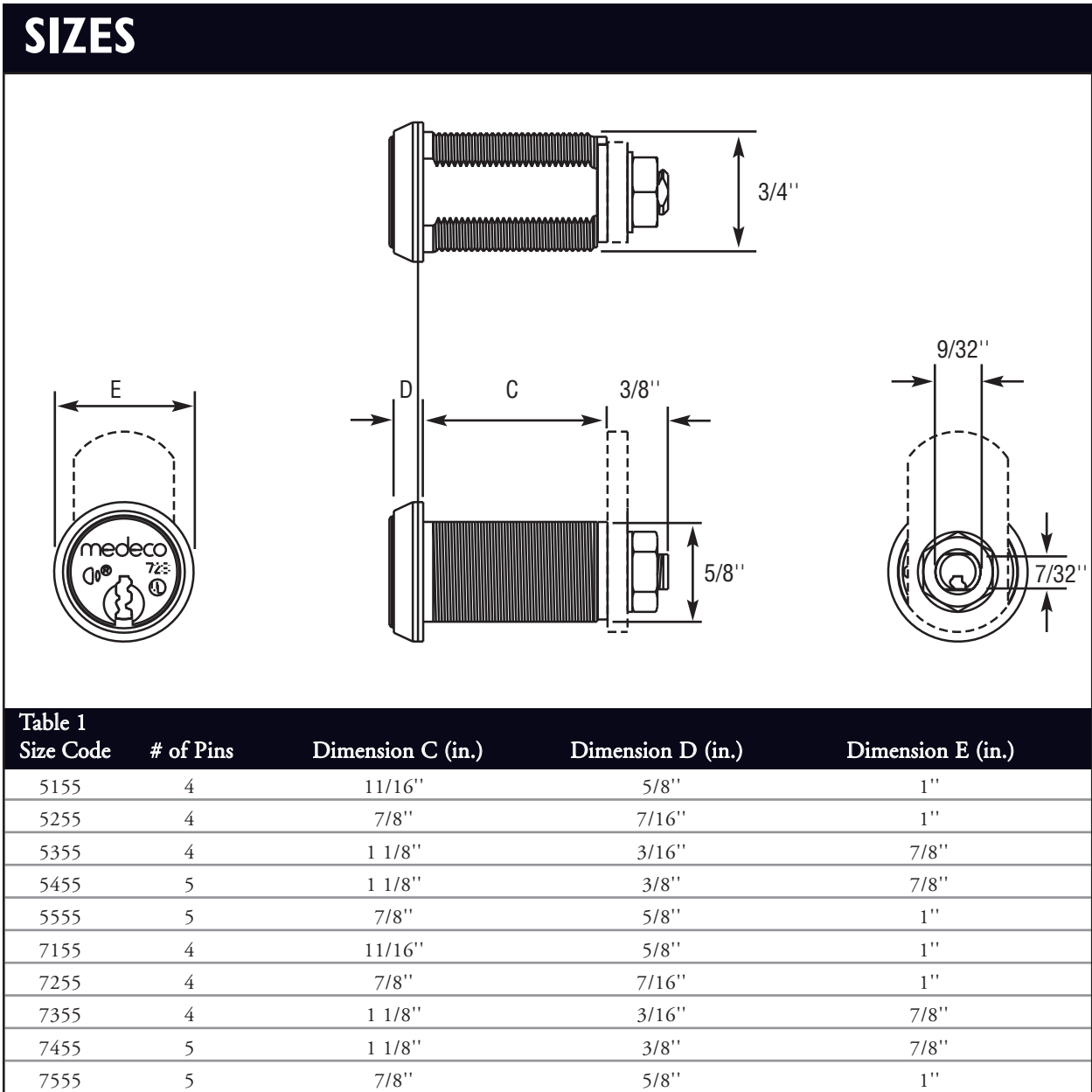
## HIGH SECURITY REMOVABLE CORE CAM LOCKS



ITEM	DESCRIPTION
1	Operating Key (4 Pin key for operating lock)
2	Control Key (5 Pin key for removing plug)
3	Plug Assembly
4	Cam Adaptor
5	Shell
6	Stop
7	Retainer
8	3/4" Nut
9	Cam (sold separately)
10	Lock Washer
11	9/32" Nut



# Technical Drawings



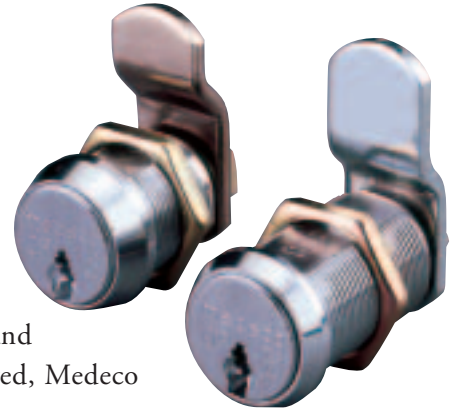
Standard sizes described. Consult Medeco® Customer Service for variations not described.



# MVP Cam Locks

Medeco® MVP cam locks have been specifically developed for cost sensitive applications where key control and pick resistance are the primary security concerns, and resistance to physical attack is not a major consideration. MVP cam locks are manufactured from high density zinc die cast, and offer the same key control advantages as well as pick resistance of standard Medeco 60 series cam locks.

Patented key programs prevent the unauthorized duplication of keys and maintain system integrity. Keyed alike, keyed different, or master keyed, Medeco offers MVP cam locks in a three pin, 5/8" and five pin, 1 1/8" models.



Medeco's unique elevate and rotate pin tumbler design provides double locking action, making cylinders virtually pick proof. All Medeco keys and locks are protected under patent, trademark, and copyright laws. Medeco keys may only be duplicated by Medeco or by an authorized Medeco Service Center, and only at your request.

## Benefits:

- ▼ Constructed of high density zinc die cast to better fit into more cost sensitive applications.
- ▼ Unique elevating and rotating tumbler pin system is virtually pick proof.
- ▼ Patented Medeco keys may only be duplicated by Medeco or authorized Medeco Service Center, and only at your request.
- ▼ Medeco cam locks are completely serviceable, and can be re-keyed in case of lost or stolen keys
- ▼ Medeco MVP cam locks can be keyed in with other 60 series products (10 series products may be keyed into existing 60 series systems)
- ▼ Locks can be keyed alike, keyed different, or master keyed (5 pin model only) depending on your specific needs.
- ▼ Available 5/8" and 1 1/8" body lengths, key retained or not, two flat, and various rotations.

\* Not available in Medeco<sup>3</sup>

## Applications:

Medeco MVP cam locks are recommended for use in any market where physical security is not a primary consideration, but key control is a concern. Suggested applications include:

Home Alarms                      Equipment Service Doors  
Internal Access Panels        Safety Lockout Devices

## Warranty:

Warranted for two years against manufacturer's defects. See Medeco limited Warranty for full details.

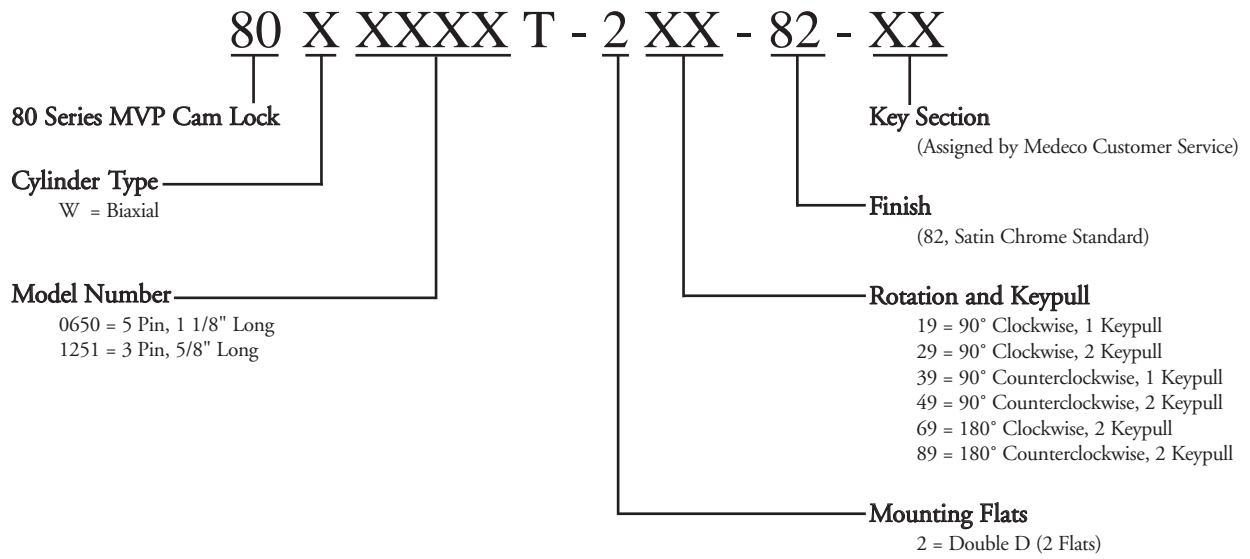
## Technical Information:

Three pin, 5/8" and Five pin, 1 1/8" models available.  
Two flats, key retaining or not.  
Clockwise or counterclockwise rotation, 90°.  
180°, two keypull also available.  
Keyed alike, keyed different, or master keyed (5 pin).

## Finishes:

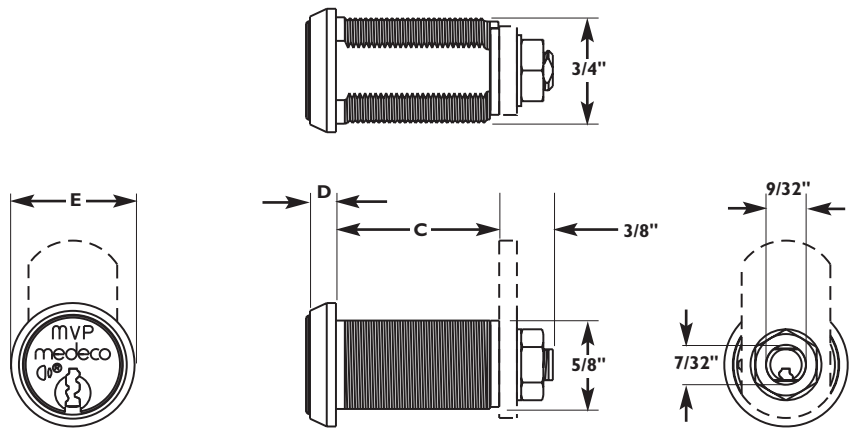
Simulated 26 satin chrome finish.

# Ordering Instructions



# Technical Drawings

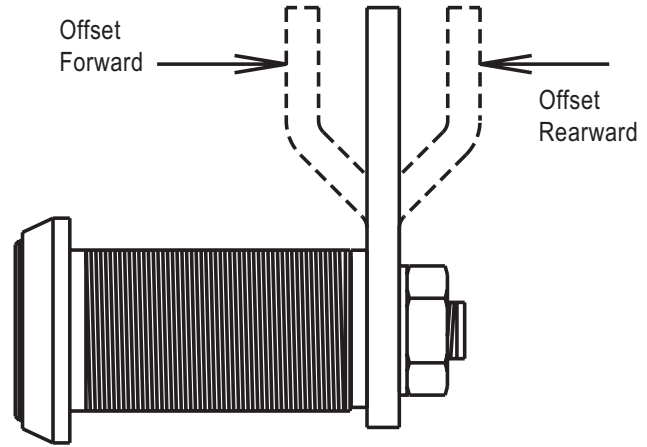
## DIMENSIONS



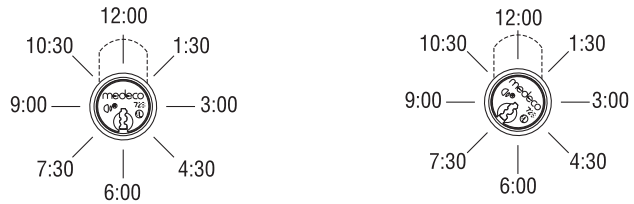
Size Code	# of Pins	Dimension C	Dimension D	Dimension E
0650	5	1 1/8"	3/16"	7/8"
1251	3	5/8"	3/16"	7/8"

# Technical Drawings

## CAM SELECTION DETAIL - CAM TYPE SELECTOR



## CAM SELECTION DETAIL - CAM TYPE SELECTOR

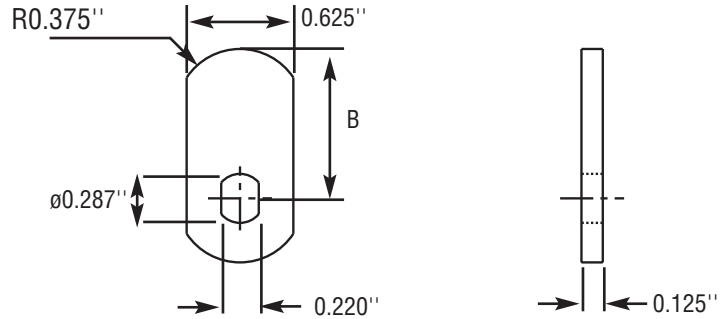


Mounting	Cam Mounting Position	Flat Cam	Offset Cam (Forward)	Offset Cam (Rearward)
Keyway at 6:00 in Locked Position	12:00	D	J	J
	1:30	C	S	P
	3:00	A	H	H
	4:30	C	P	S
	6:00	D	J	J
	7:30	C	S	P
	9:00	A	H	H
	10:30	C	P	S
Keyway at 7:30 in Locked Position	12:00	C	P	S
	1:30	D	J	J
	3:00	C	S	P
	4:30	A	H	H
	6:00	C	P	S
	7:30	D	J	J
	9:00	C	S	P
	10:30	A	H	H

Table Dimensions  $\pm 1/32"$

# Technical Drawings

## CAM SELECTION DETAIL - A SERIES FLAT CAMS



Part #	Length (B)
CT-A00	5/8"
CT-A01	3/4"
CT-A02	7/8"
CT-A03	1"
CT-A04	1 1/8"
CT-A05	1 1/4"
CT-A06	1 3/8"
CT-A07	1 1/2"
CT-A08	1 5/8"
CT-A09	1 3/4"
CT-A11	2"
CT-A12	2 1/8"
CT-A13	2 1/4"
CT-A14	2 3/8"
CT-A15	2 1/2"
CT-A16	2 5/8"
CT-A19	3"

Table Dimensions ±1/32"

# Technical Drawings

## CAM SELECTION DETAIL - D SERIES FLAT CAMS

Part #	Length (B)
CT-D00	5/8"
CT-D01	3/4"
CT-D02	7/8"
CT-D03	1"
CT-D04	1 1/8"
CT-D05	1 1/4"
CT-D06	1 3/8"
CT-D07	1 1/2"
CT-D08	1 5/8"
CT-D09	1 3/4"
CT-D11	2"
CT-D12	2 1/8"
CT-D15	2 1/2"
CT-D19	3"

## CAM SELECTION DETAIL - C SERIES FLAT CAMS

Part #	Length (B)
CT-C00	5/8"
CT-C01	3/4"
CT-C02	7/8"
CT-C03	1"
CT-C04	1 1/8"
CT-C05	1 1/4"
CT-C08	1 5/8"
CT-C09	1 3/4"
CT-C11	2"
CT-C12	2 1/8"

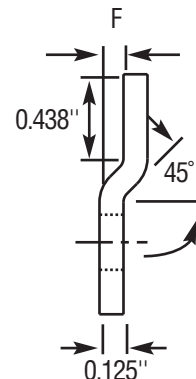
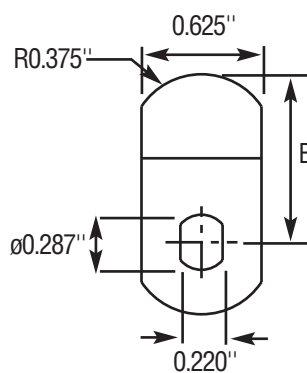
Table Dimensions ±1/32"

# Technical Drawings

## CAM SELECTION DETAIL - H SERIES 45° OFFSET CAM

B = Length

F = Offset



B	F	Part #
7/8"	5/32"	CT-H27
1"	1/8"	CT-H08
1 1/8"	1/8"	CT-H09
1 1/8"	5/32"	CT-H26
1 1/8"	7/32"	CT-H07
1 1/8"	5/16"	CT-H16
1 1/4"	1/8"	CT-H00
1 1/4"	5/32"	CT-H28
1 1/4"	7/32"	CT-H15
1 1/4"	5/16"	CT-H17
1 1/2"	1/8"	CT-H33
1 1/2"	7/32"	CT-H14
1 1/2"	5/16"	CT-H32
1 5/8"	1/8"	CT-H10
1 5/8"	5/32"	CT-H29
1 5/8"	7/32"	CT-H22
1 5/8"	5/16"	CT-H18
1 3/4"	1/8"	CT-H11
1 3/4"	5/32"	CT-H06
1 3/4"	7/32"	CT-H30
1 3/4"	5/16"	CT-H19
2"	1/8"	CT-H12
2"	5/32"	CT-H05
2"	7/32"	CT-H25
2"	5/16"	CT-H20
2 1/8"	1/8"	CT-H13
2 1/8"	5/32"	CT-H24
2 1/8"	5/16"	CT-H21
2 1/2"	1/8"	CT-H23

Table Dimensions ±1/32"

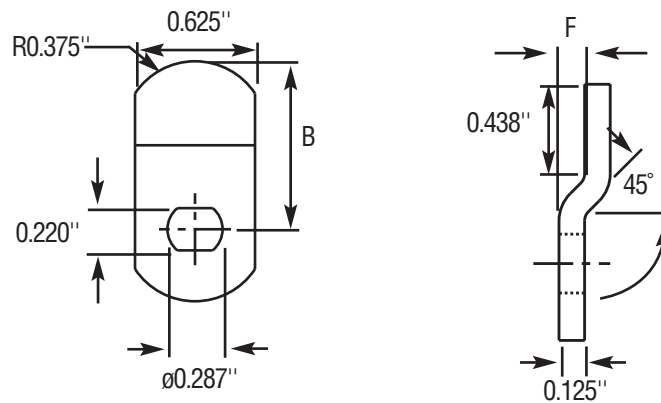


# Technical Drawings

## CAM SELECTION DETAIL - J SERIES 45° OFFSET CAM

B = Length

F = Offset



B	F	Part #
7/8"	5/32"	CT-J29
1"	1/8"	CT-J05
1 1/8"	1/8"	CT-J06
1 1/8"	5/32"	CT-J22
1 1/8"	7/32"	CT-J01
1 1/8"	5/16"	CT-J13
1 1/4"	1/8"	CT-J07
1 1/4"	5/32"	CT-J00
1 1/4"	7/32"	CT-J12
1 1/4"	5/16"	CT-J14
1 1/2"	1/8"	CT-J04
1 1/2"	5/16"	CT-J27
1 5/8"	1/8"	CT-J08
1 5/8"	5/32"	CT-J23
1 5/8"	7/32"	CT-J19
1 5/8"	5/16"	CT-J15
1 3/4"	1/8"	CT-J09
1 3/4"	5/32"	CT-J24
1 3/4"	7/32"	CT-J20
1 3/4"	5/16"	CT-J16
2"	1/8"	CT-J10
2"	5/32"	CT-J25
2"	7/32"	CT-J26
2"	5/16"	CT-J17
2 1/8"	1/8"	CT-J11
2 1/8"	5/16"	CT-J18
2 5/8"	7/32"	CT-J28

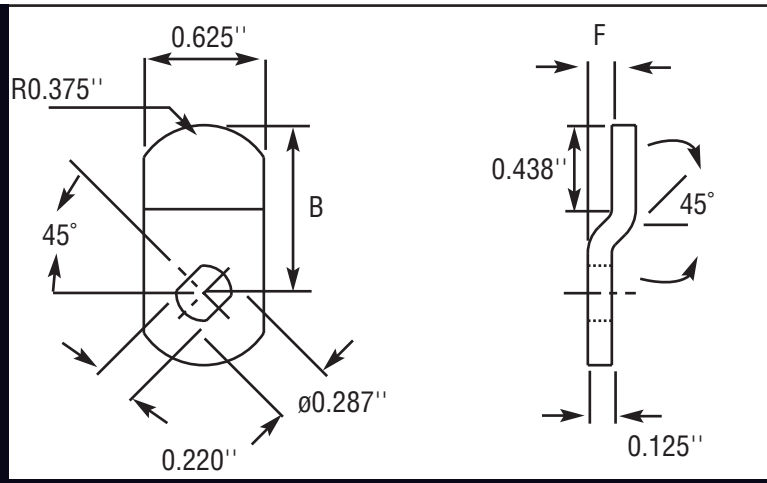
Table Dimensions ±1/32"

# Technical Drawings

## CAM SELECTION DETAIL - P SERIES 45° OFFSET CAM

B = Length

F = Offset



B	F	Part #
7/8"	5/32"	CT-P18
1"	1/8"	CT-P09
1 1/8"	1/8"	CT-P10
1 1/8"	5/32"	CT-P02
1 1/8"	7/32"	CT-P08
1 1/8"	5/16"	CT-P17
1 1/4"	1/8"	CT-P03
1 1/4"	5/32"	CT-P27
1 1/4"	7/32"	CT-P16
1 1/4"	5/16"	CT-P00
1 1/2"	1/8"	CT-P31
1 1/2"	7/32"	CT-P15
1 1/2"	5/16"	CT-P30
1 5/8"	1/8"	CT-P11
1 5/8"	5/32"	CT-P28
1 5/8"	7/32"	CT-P23
1 5/8"	5/16"	CT-P19
1 3/4"	1/8"	CT-P12
1 3/4"	5/32"	CT-P07
1 3/4"	7/32"	CT-P29
1 3/4"	5/16"	CT-P20
2"	1/8"	CT-P13
2"	5/32"	CT-P06
2"	7/32"	CT-P26
2"	5/16"	CT-P21
2 1/8"	1/8"	CT-P14
2 1/8"	5/32"	CT-P25
2 1/8"	5/16"	CT-P22
2 1/2"	1/8"	CT-P24
2 5/8"	7/32"	CT-P33

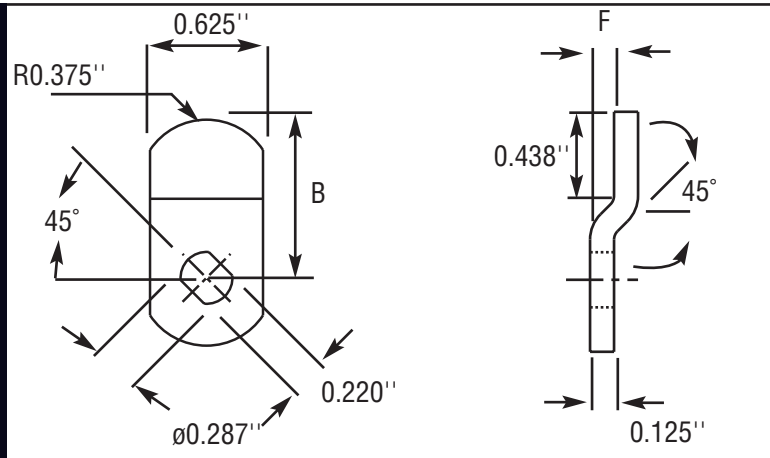
Table Dimensions  $\pm 1/32$ "

# Technical Drawings

## CAM SELECTION DETAIL - S SERIES 45° OFFSET CAM

B = Length

F = Offset



B	F	Part #
7/8"	5/32"	CT-S18
1"	1/8"	CT-S09
1 1/8"	1/8"	CT-S10
1 1/8"	5/32"	CT-S02
1 1/8"	7/32"	CT-S08
1 1/8"	5/16"	CT-S17
1 1/4"	1/8"	CT-S03
1 1/4"	5/32"	CT-S27
1 1/4"	7/32"	CT-S16
1 1/4"	5/16"	CT-S00
1 1/2"	1/8"	CT-S31
1 1/2"	7/32"	CT-S15
1 1/2"	5/16"	CT-S30
1 5/8"	1/8"	CT-S11
1 5/8"	5/32"	CT-S28
1 5/8"	7/32"	CT-S23
1 5/8"	5/16"	CT-S19
1 3/4"	1/8"	CT-S12
1 3/4"	5/32"	CT-S07
1 3/4"	7/32"	CT-S29
1 3/4"	5/16"	CT-S20
2"	1/8"	CT-S13
2"	5/32"	CT-S06
2"	7/32"	CT-S26
2"	5/16"	CT-S21
2 1/8"	1/8"	CT-S14
2 1/8"	5/32"	CT-S25
2 1/8"	5/16"	CT-S22
2 1/2"	1/8"	CT-S24
2 5/8"	7/32"	CT-S33

Table Dimensions ±1/32"

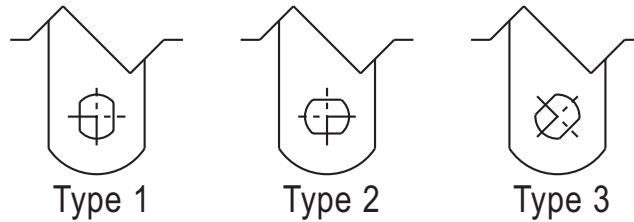
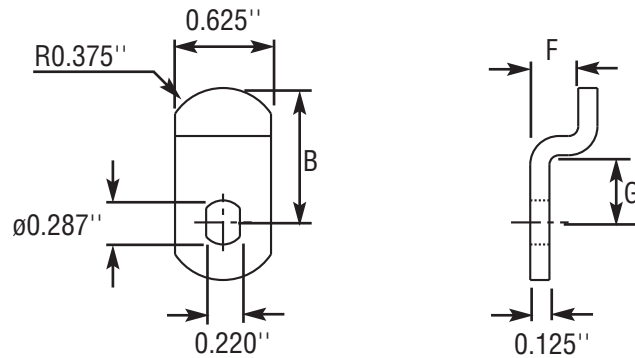
# Technical Drawings

## CAM SELECTION DETAIL - G SERIES 90° OFFSET CAM

B = Length

F = Offset

G = Length to Offset



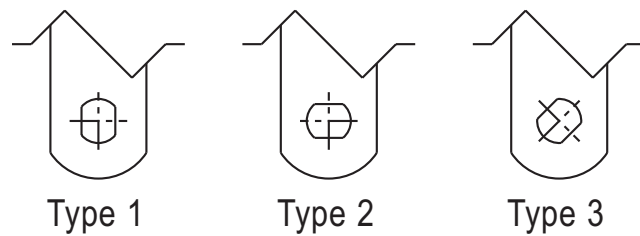
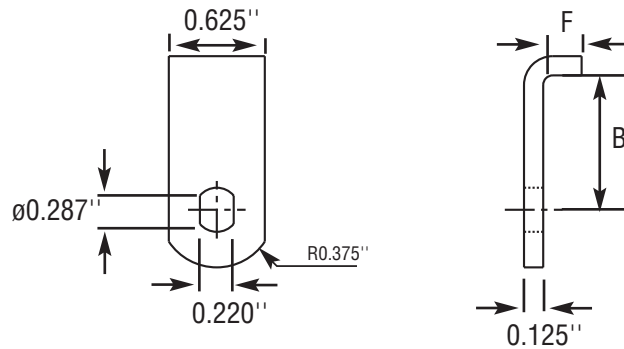
B	F	G	Type	Part #
3/4"	1"	1/4"	1	CT-G02
7/8"	11/16"	3/8"	1	CT-G05
7/8"	5/16"	7/16"	1	CT-G09
7/8"	1/2"	3/8"	1	CT-G07
1 1/4"	9/16"	1/2"	1	CT-G03
1 3/8"	9/16"	3/4"	1	CT-G04
1 1/2"	1/2"	9/16"	1	CT-G06
1 1/2"	9/16"	3/4"	1	CT-G01
1 1/2"	9/16"	9/16"	1	CT-G08
7/8"	5/16"	7/16"	2	CT-G51
1 1/8"	7/16"	7/16"	2	CT-G55
1 1/2"	1/2"	9/16"	2	CT-G56
1 1/2"	35/64"	3/4"	2	CT-G53
1 5/8"	7/16"	7/16"	2	CT-G57
1 1/4"	9/16"	3/8"	3	CT-G98
1 1/4"	9/16"	1/2"	3	CT-G99

Table Dimensions ±1/32"

# Technical Drawings

## CAM SELECTION DETAIL - K SERIES 90° BENT CAM

*B = Length*  
*F = Offset*  
*G = Length to Offset*

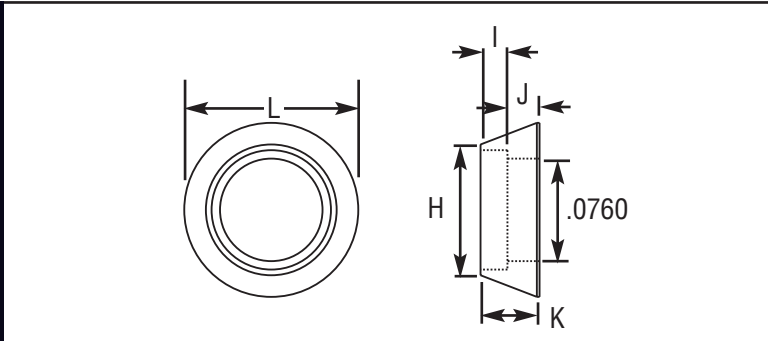


B	F	Type	Part #
7/16"	9/16"	1	CT-K13
1/2"	1/4"	1	CT-K12
11/16"	7/16"	1	CT-K02
3/4"	5/8"	1	CT-K05
7/8"	1/4"	1	CT-K10
15/16"	3/8"	1	CT-K01
1 1/4"	1/4"	1	CT-K07
1 5/16"	9/16"	1	CT-K08
1 1/2"	9/16"	1	CT-K00
1 5/16"	9/16"	2	CT-K11
1 9/16"	1/4"	2	CT-K06
1 5/16"	9/16"	3	CT-K09

Table Dimensions  $\pm 1/32$ "

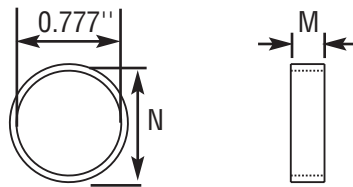
# Technical Drawings

## SECURITY COLLARS



(H)	(I)	(J)	(K)	(L)	Part #
1.000"	.142"	.170"	.312"	1.290"	CP-070501
.885"	.142"	.170"	.312"	1.210"	CP-070131
.885"	.188"	.250"	.438"	1.356"	CP-070161
.885"	.200"	.238"	.438"	1.290"	CP-070171
.885"	.260"	.070"	.330"	1.210"	CP-070441
.885"	.262"	.050"	.312"	1.210"	CP-070201
.885"	.278"	.160"	.438"	1.290"	CP-070111
.885"	.325"	.050"	.375"	1.275"	CP-070141
1.000"	.450"	.050"	.500"	1.250"	CP-070181
1.000"	.638"	.050"	.688"	1.313"	CP-070481

## SPACERS

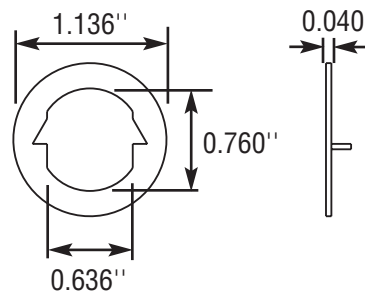


(M)	(N)	Part #
.125"	.875"	CP-160051
.140"	.875"	CP-160101
.188"	.875"	CP-160071
.200"	.875"	CP-160111
.250"	.875"	CP-160081
.275"	.875"	CP-160091
.375"	.875"	CP-160301
.400"	.875"	CP-160121
.530"	.875"	CP-160061
.437"	.875"	CP-160271
.031"	.875"	CP-160541
.062"	.875"	CP-160551
.312"	.875"	CP-160571
.062"	.995"	CP-160591
.125"	.995"	CP-160601
.250"	.995"	CP-160611

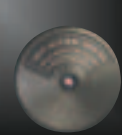
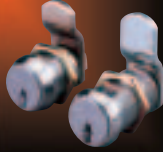
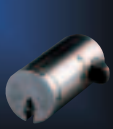
Table Dimensions  $\pm 1/32"$

# Technical Drawings

## DOUBLE D SPUR WASHER



Used to provide double “D” mounting for cam lock applications on wood surfaces. Requires a 3/4" predrilled mounting hole.



# Extension Locks

Medeco® offers a threaded extension lock that can be used in laundry, vending or a variety of other applications. All models feature hardened steel inserts that protect against drilling and other vandal attacks on the cylinder. In addition to excellent protection against physical attack, Medeco features patented key control and pin tumblers that must elevate, rotate and align perfectly with the cylinder's sidebar, giving you double protection against picking.

The Medeco<sup>3</sup> unique design provides triple locking action, making the locks virtually pickproof. All Medeco<sup>3</sup> keys and locks are protected under patent trademark and copyright laws. Medeco<sup>3</sup> keys may only be duplicated by Medeco or an authorized Medeco Service Center, and only at your request.



## Benefits:

- ▼ Patented Medeco<sup>3</sup> keys may only be duplicated by Medeco or an authorized Medeco Service Center, and only at your request.
- ▼ Special angle cut keys are patent protected to guard against unauthorized duplication.
- ▼ Supported by factory trained service outlets.
- ▼ Unique elevating and rotating pin tumbler system is virtually pick proof

## Applications:

Medeco's threaded extension and rotary locks can be used in laundry, vending or a variety of other applications.

## Certification:

UL® Listed

## Warranty:

Warranted for two years against manufacturer's defects. See Medeco Limited Warranty for full details.

## Technical Information:

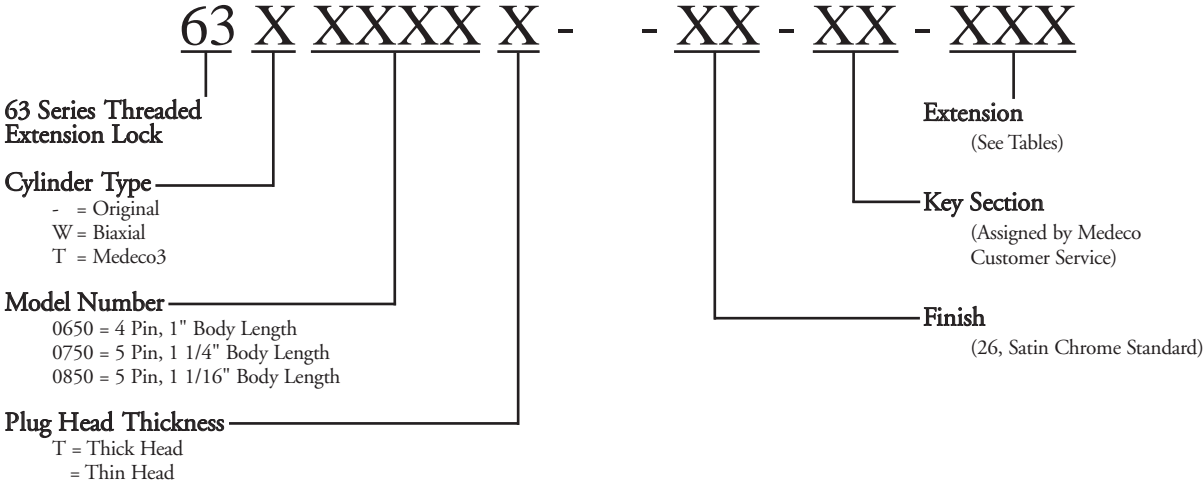
Four and five pin models available depending on size.  
Available with a rotary t or threaded extension  
5/16" - 24 thread  
5/16" - 18 thread  
Various lengths

## Finishes:

26 Satin Chrome finish standard.

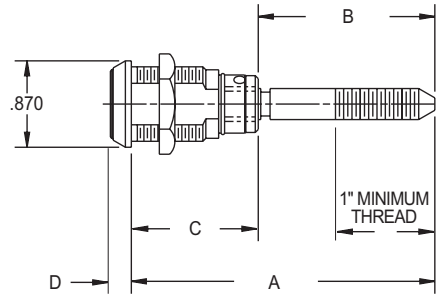
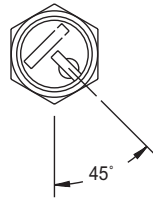


# Ordering Instructions - Threaded Extension Locks



# Technical Drawing

## THREADED EXTENSION LOCKS

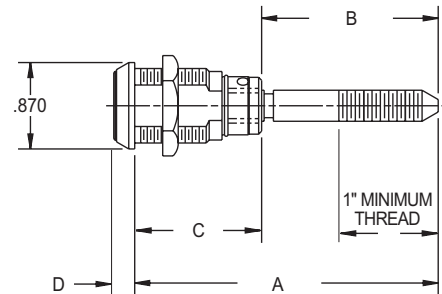
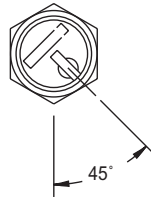


63X0650 X, 4 Pin Threaded Extension Lock

Extension	A (Decimal)	A (Fraction)	Thread	B	C	D
M26	1.500	1 1/2"	5/16-24	0.473	1.027	0.265
M35	1.562	1 9/16"	5/16-18	0.535	1.027	0.265
M12	1.802	1 13/16"	5/16-18	0.775	1.027	0.265
M14	1.989	2"	5/16-18	0.962	1.027	0.265
M22	2.187	2 3/16"	5/16-18	1.160	1.027	0.265
M27	2.249	2 1/4"	5/16-18	1.222	1.027	0.265
M18	2.747	2 3/4"	5/16-18	1.720	1.027	0.265
M01	2.805	2 13/16"	5/16-18	1.778	1.027	0.265
M03	2.864	2 7/8"	5/16-18	1.837	1.027	0.265
M28	2.874	2 7/8"	5/16-24	1.847	1.027	0.265
M04	2.989	3"	5/16-18	1.962	1.027	0.265
M29	3.124	3 1/8"	5/16-18	2.097	1.027	0.265
M11	3.489	1 1/2"	5/16-24	2.462	1.027	0.265
M21	3.499	1 1/2"	5/16-18	2.472	1.027	0.265
M16	3.615	3 5/8"	5/16-24	2.588	1.027	0.265
M23	3.615	3 5/8"	5/16-18	2.588	1.027	0.265
M20	4.124	4 1/8"	5/16-18	3.097	1.027	0.265
M15	4.489	4 1/2"	5/16-18	3.462	1.027	0.265
M25	4.677	4 11/16"	5/16-24	3.650	1.027	0.265
M24	4.749	4 3/4"	5/16/18	3.722	1.027	0.265
M07	4.864	4 7/8"	5/16-18	3.837	1.027	0.265
M31	5.125	5 1/8"	5/16-18	4.098	1.027	0.265
M32	5.250	5 1/4"	5/16-18	4.223	1.027	0.265
M37	5.375	5 3/8"	5/16-18	4.348	1.027	0.265
M09	5.739	5 3/4"	5/16-18	4.712	1.027	0.265
M17	6.124	6 1/8"	5/16-18	5.097	1.027	0.265
M30	6.249	6 1/4"	5/16-18	5.222	1.027	0.265
M36	7.000	7"	5/16-18	5.973	1.027	0.265
M05	7.427	7 7/16"	5/16-18	6.400	1.027	0.265
M33	7.427	7 7/16"	5/16-24	6.400	1.027	0.265
M06	7.989	8"	5/16-18	6.962	1.027	0.265
M08	8.239	8 1/4"	5/16-18	7.212	1.027	0.265
M02	8.489	8 1/2"	5/16-18	7.462	1.027	0.265
M10	8.739	8 3/4"	5/16-18	7.712	1.027	0.265
M13	14.864	14 7/8"	5/16-18	13.837	1.027	0.265
M34	14.864	14 7/8"	5/16-24	13.837	1.027	0.265

# Technical Drawing

## THREADED EXTENSION LOCKS

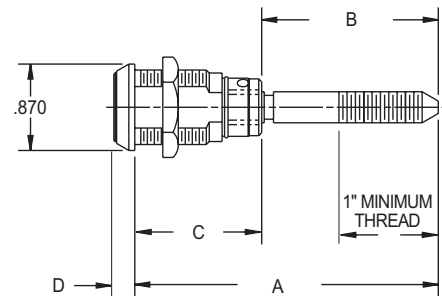
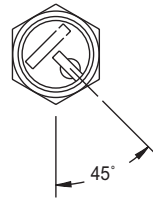


63X0750 X, 5 Pin Threaded Extension Lock

Extension	A (Decimal)	A (Fraction)	Thread	B	C	D
M26	1.751	1 3/4"	5/16-24	0.473	1.278	0.183
M35	1.813	1 13/16"	5/16-18	0.535	1.278	0.183
M12	2.053	2 1/16"	5/16-18	0.775	1.278	0.183
M14	2.240	2 1/4"	5/16-18	0.962	1.278	0.183
M22	2.438	2 7/16"	5/16-18	1.160	1.278	0.183
M27	2.500	2 1/2"	5/16-18	1.222	1.278	0.183
M18	2.998	3"	5/16-18	1.720	1.278	0.183
M01	3.056	3 1/16"	5/16-18	1.778	1.278	0.183
M03	3.115	3 1/8"	5/16-18	1.837	1.278	0.183
M28	3.125	3 1/8"	5/16-24	1.847	1.278	0.183
M04	3.240	3 1/4"	5/16-18	1.962	1.278	0.183
M29	3.385	3 3/8"	5/16-18	2.107	1.278	0.183
M11	3.740	3 3/4"	5/16-24	2.462	1.278	0.183
M21	3.750	3 3/4"	5/16-18	2.472	1.278	0.183
M16	3.866	3 7/8"	5/16-24	2.588	1.278	0.183
M23	3.866	3 7/8"	5/16-18	2.588	1.278	0.183
M20	4.375	4 3/8"	5/16-18	3.097	1.278	0.183
M15	4.740	4 3/4"	5/16-18	3.462	1.278	0.183
M25	4.928	4 15/16"	5/16-24	3.650	1.278	0.183
M24	5.000	5"	5/16-18	3.722	1.278	0.183
M07	5.115	5 1/8"	5/16-18	3.837	1.278	0.183
M31	5.376	5 3/8"	5/16-18	4.098	1.278	0.183
M32	5.501	5 1/2"	5/16-18	4.223	1.278	0.183
M37	5.626	5 5/8"	5/16-18	4.348	1.278	0.183
M09	5.990	6"	5/16-18	4.712	1.278	0.183
M17	6.375	6 3/8"	5/16-18	5.097	1.278	0.183
M30	6.500	6 1/2"	5/16-18	5.222	1.278	0.183
M36	7.251	7 1/4"	5/16-18	5.973	1.278	0.183
M05	7.672	7 11/16"	5/16-18	6.394	1.278	0.183
M33	7.678	7 11/16"	5/16-24	6.400	1.278	0.183
M06	8.240	8 1/4"	5/16-18	6.962	1.278	0.183
M08	8.490	8 1/2"	5/16-18	7.212	1.278	0.183
M02	8.740	8 3/4"	5/16-18	7.462	1.278	0.183
M10	8.900	9"	5/16-18	7.712	1.278	0.183
M13	15.115	15 1/8"	5/16-18	13.837	1.278	0.183
M34	15.115	15 1/8"	5/16-24	13.837	1.278	0.183

# Technical Drawing

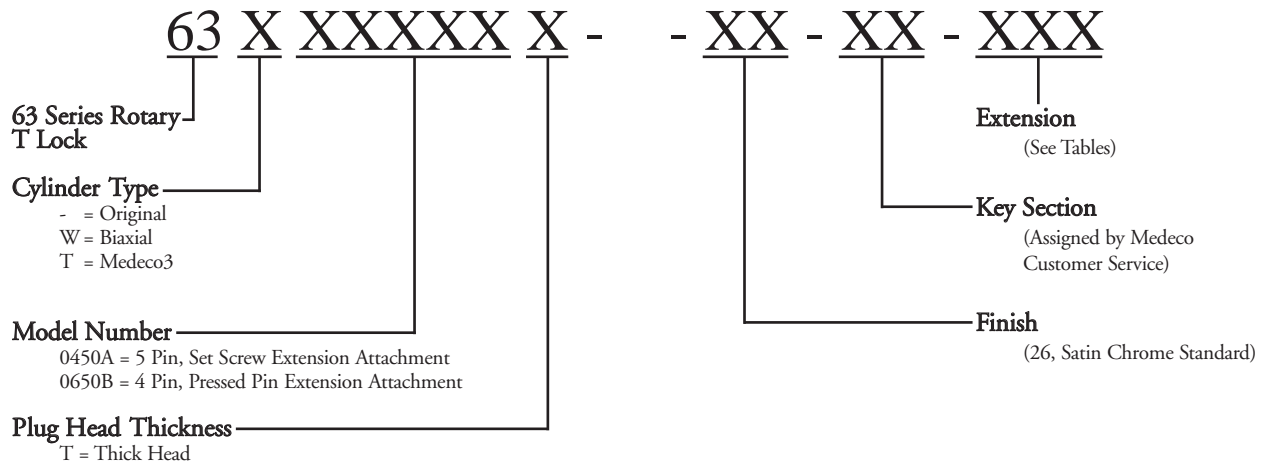
## THREADED EXTENSION LOCKS



63X0850 X, 5 Pin Threaded Extension Lock

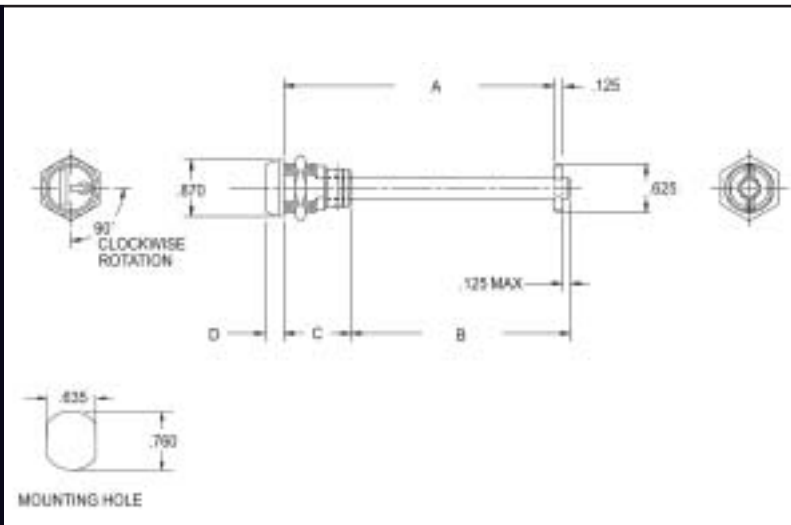
Extension	A (Decimal)	A (Fraction)	Thread	B	C	D
M26	1.561	1 9/16"	5/16-24	0.473	1.088	0.373
M19	1.562	1 9/16"	5/16-18	0.474	1.088	0.373
M35	1.623	1 5/8"	5/16-18	0.535	1.088	0.373
M12	1.863	1 7/8"	5/16-18	0.775	1.088	0.373
M14	2.050	2 1/16"	5/16-18	0.962	1.088	0.373
M22	2.248	2 1/4"	5/16-18	1.160	1.088	0.373
M27	2.310	2 5/16"	5/16-18	1.222	1.088	0.373
M18	2.808	2 13/16"	5/16-18	1.720	1.088	0.373
M01	2.886	2 7/8"	5/16-18	1.798	1.088	0.373
M03	2.925	2 15/16"	5/16-18	1.837	1.088	0.373
M28	2.935	2 15/16"	5/16-24	1.847	1.088	0.373
M04	3.050	3 1/16"	5/16-18	1.962	1.088	0.373
M29	3.185	3 1/16"	5/16-18	2.097	1.088	0.373
M11	3.550	3 9/16"	5/16-24	2.462	1.088	0.373
M21	3.560	3 9/16"	5/16-18	2.472	1.088	0.373
M16	3.676	3 11/16"	5/16-24	2.588	1.088	0.373
M23	3.676	3 11/16"	5/16-18	2.588	1.088	0.373
M20	4.185	4 3/16"	5/16-18	3.097	1.088	0.373
M15	4.550	4 9/16"	5/16-18	3.462	1.088	0.373
M25	4.738	4 3/4"	5/16-24	3.650	1.088	0.373
M24	4.810	4 13/16"	5/16-18	3.722	1.088	0.373
M07	4.925	4 15/16"	5/16-18	3.837	1.088	0.373
M31	5.186	5 3/16"	5/16-18	4.098	1.088	0.373
M32	5.311	5 5/16"	5/16-18	4.223	1.088	0.373
M37	5.434	5 7/16"	5/16-18	4.346	1.088	0.373
M09	5.800	5 13/16"	5/16-18	4.712	1.088	0.373
M17	6.185	6 3/16"	5/16-18	5.097	1.088	0.373
M30	6.310	6 5/16"	5/16-18	5.222	1.088	0.373
M36	7.061	7 1/16"	5/16-18	5.973	1.088	0.373
M05	7.488	7 1/2"	5/16-18	6.400	1.088	0.373
M33	7.488	7 1/2"	5/16-24	6.400	1.088	0.373
M06	8.050	8 1/16"	5/16-18	6.962	1.088	0.373
M08	8.300	8 5/16"	5/16-18	7.212	1.088	0.373
M02	8.550	8 9/16"	5/16-18	7.462	1.088	0.373
M10	8.800	8 13/16"	5/16-18	7.712	1.088	0.373
M13	14.925	14 15/16"	5/16-18	13.837	1.088	0.373
M34	14.925	14 15/16"	5/16-24	13.837	1.088	0.373

# Ordering Instructions - Rotary T Locks



# Technical Drawing

## ROTARY T LOCKS



**63X0650BX, 4 Pin Rotary T Lock, Pressed Pin Extension Attachment**

Extension	A	B	C	D
N26	1.750	.973	1.027	0.265
N64	6.844	6.057	1.027	0.265
N65	9.469	8.962	1.027	0.265
N49	12.670	11.888	1.027	0.265

**63X0450AX, 5 Pin Rotary T Lock, Set Screw Extension Attachment**

Extension	A	B	C	D
N56	3.000	1.972	1.278	0.183
N50	5.498	4.470	1.278	0.183
N53	7.359	6.331	1.278	0.183
N54	8.940	7.912	1.278	0.183
N52	12.174	11.146	1.278	0.183



# T-Handle Cylinders

Medeco® provides a full range of T-handle cylinders, from general purpose models offering basic key control and pick resistance, to stainless steel bolt and shell models resistant to the most severe forms of vandalism and physical attack. All models may be keyed in together, as well as with other 60 series products, for ease of key management. Medeco has over twenty-five years of experience manufacturing locks for the vending industry, and a proven track record of quality products and long term reliability. Patented key programs prevent the unauthorized duplication of keys and maintain system integrity.



The Medeco<sup>3</sup> unique design provides triple locking action, making the lock virtually pick proof. All Medeco<sup>3</sup> keys and locks are protected under patent, trademark, and copyright laws. Medeco<sup>3</sup> keys may only be duplicated by Medeco or by an authorized Medeco Service Center, and only at your request.

## Benefits:

- ▼ Medeco T-handle cylinder bolt and shell are constructed of high density zinc die-cast or stainless steel for higher security applications. Plugs constructed of machined brass with drill resistant, hardened stainless steel inserts.
- ▼ Unique elevating and rotating tumbler pin system is virtually pick proof.
- ▼ Patented Medeco<sup>3</sup> keys may only be duplicated by Medeco or authorized Medeco service center, and only at your request.
- ▼ Medeco cylinders are serviceable, and can be re-keyed by authorized Medeco service centers in case of lost or stolen keys.
- ▼ Medeco T-handle cylinders can be keyed in with other 60 series products (10 series products may be keyed into existing 60 series systems).
- ▼ All cylinders retrofit NAMA standard T-handles.

## Applications:

Medeco high security T-handle cylinders can be installed in any machine utilizing NAMA standard T-handles. Typical applications include:

- |                  |                           |
|------------------|---------------------------|
| Bill Changers    | Card Dispensing Equipment |
| Vending Machines | Fare Collection Systems   |

## Warranty:

Warranted for two years against manufacturer's defects. See Medeco limited Warranty for full details.

## Certification:

UL® 437 Listed

## Technical Information:

Four pin standard, five pin available in limited models.

Dead and spring bolt functions available.

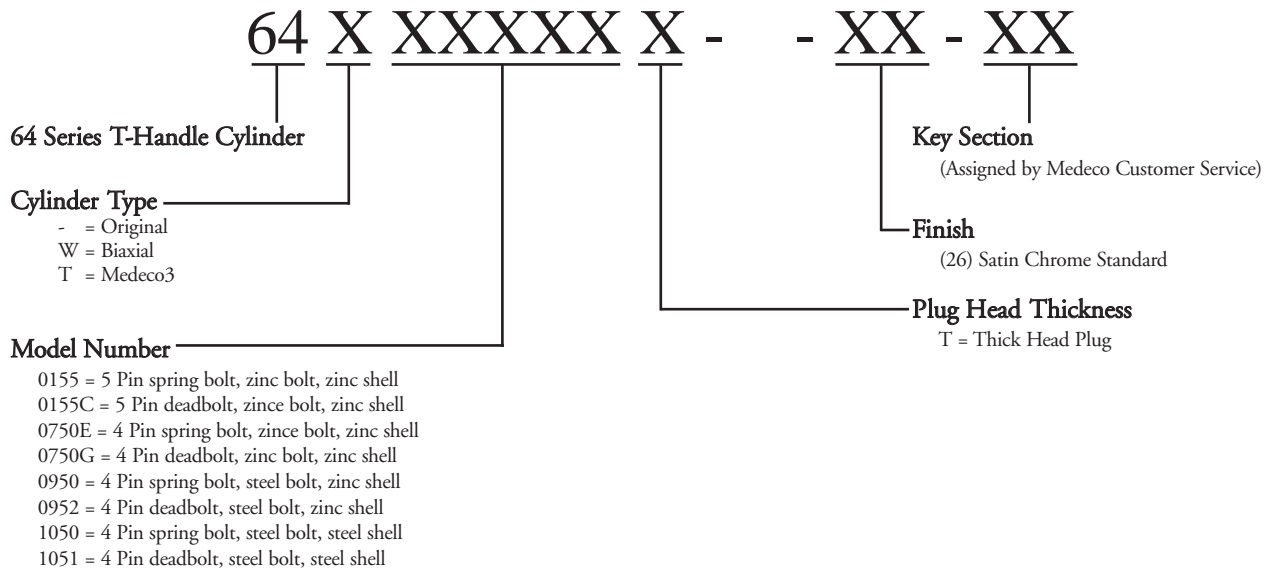
180° rotation to open.

Locks fit all NAMA standard t-handles.

## Finishes:

26 satin chrome finish standard.

# Ordering Instructions

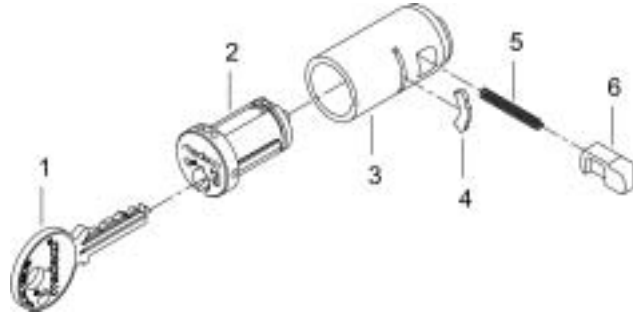




# Exploded View

Medeco's® 0155 and 0750 series T-handle cylinders provide solid, general-purpose security, defying surreptitious entry via picking, drilling, and unauthorized key duplication. 0155 series comes in a 5 pin body design to maximize keying potential. 0750 series comes in a stout, 4 pin body style, to better resist physical attack. Both 0155 and 0750 are available in either spring or deadbolt models.

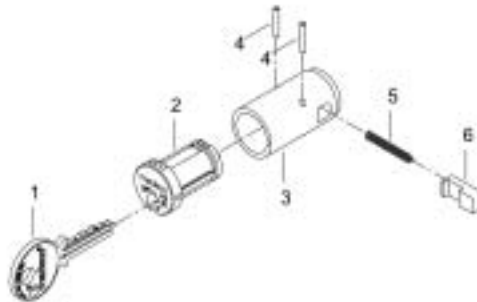
## 4 PIN SPRING BOLT T-HANDLE CYLINDER



ITEM	DESCRIPTION
1	Notched Key (Sold Separately)
2	Plug Assembly
3	Shell
4	Plug Retainer
5	Bolt Spring
6	Bolt

With enhanced security features, Medeco's 0950 series T-handle cylinders are for use in higher risk locations where the chance of physical attack is greater. With a solid steel bolt and reinforced shell, the 0950 is designed to resist would be thieves. Available in a 4 pin body style with either spring or deadbolt functions.

## 4 PIN SPRING BOLT, T-HANDLE CYLINDER, STEEL BOLT

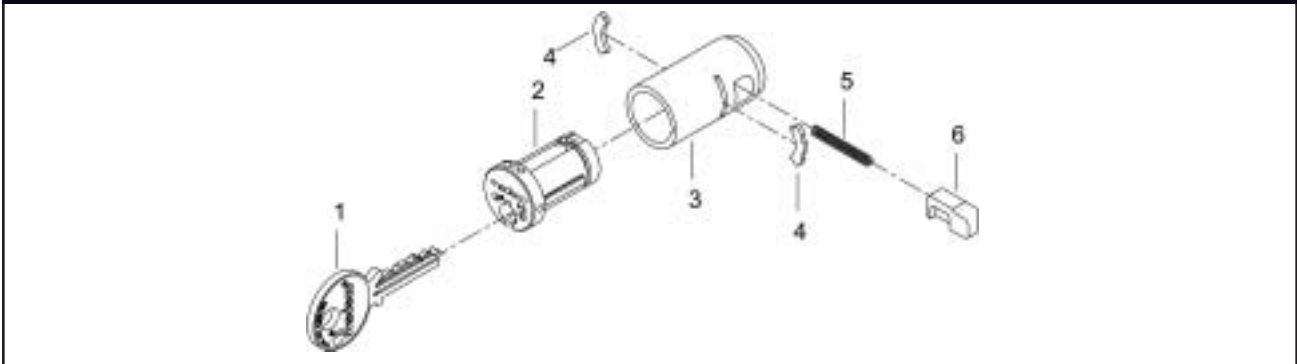


ITEM	DESCRIPTION
1	Notched Key (Sold Separately)
2	Plug Assembly
3	Shell
4	Plug Retainer
5	Bolt Spring
6	Bolt

# Exploded View

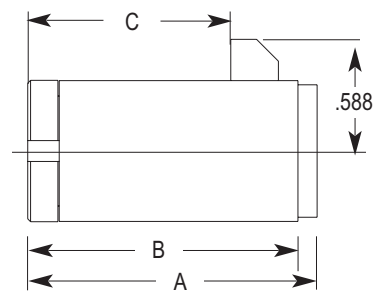
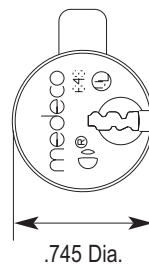
For locations where your property and profits are most vulnerable to theft and vandalism, Medeco's® 1050 series provides the most protection possible in a 3/4" T-handle cylinder. With a solid steel bolt and shell, the 1050 is designed to resist even the most severe forms of physical attack. Available in a 4 pin body style with either spring or deadbolt functions.

## 4 PIN SPRING BOLT, T-HANDLE CYLINDER, STEEL SHELL



ITEM	DESCRIPTION
1	Notched Key (Sold Separately)
2	Plug Assembly
3	Shell
4	Plug Retainer
5	Bolt Spring
6	Bolt

## DIMENSIONS



Model #	Bolt Style	# of Pins	Bolt Construction	Shell Construction	Dimension A (in.)	Dimension B (in.)	Dimension C (in.)
0155	Spring						
0155C	Dead	5	Zinc	Zinc	1.640	1.395	1.315
0750E	Spring						
0750G	Dead	4	Zinc	Zinc	1.525	1.425	1.070
0950	Spring						
0952	Dead	4	Steel	Zinc	1.525	1.425	1.070
1050	Spring						
1051	Dead	4	Steel	Steel	1.525	1.425	1.070



# T-Handles & T-Handle Inserts

Medeco's® high security T-handle is the first handle of its type designed specifically to defy forced entry. Conventional die cast construction has been replaced with 300-series stainless steel for the housing and handle components. The housing surrounds the handle to eliminate critical pry points, resist drilling, wrenching and other common forms of physical attack. Rear loading of the lock cylinder, combined with a free spinning hardened steel cover, protects against drilling and pulling.



Medeco's high security T-handle inserts provide most of the same vandal resistant features of the complete Medeco T-handle in an economical retrofit package. 300 Series stainless steel components and drill shields, defy drills, chisels, punches and other common vandal attacks. The lock cylinder loads behind the handle and is protected from drilling and pulling by a free-spinning hardened steel cover.

Special consideration has been given to serviceability. Cylinders can be quickly changed in the field without special tools. Conformance to NAMA dimensional standards provides a wide choice of cylinders to suit individual security needs.

## Benefits:

- ▼ Stands up to drilling, prying, wrenching and other forms of physical attack attacks.
- ▼ Free spinning hardened steel cover helps protect lock cylinder against drilling and pulling.
- ▼ Inserts retrofit most vending applications
- ▼ The housing surrounds the handle to eliminate critical pry points.
- ▼ Allows for quick cylinder changes.
- ▼ Supported by Medeco factory authorized Service Centers.

## Applications:

T-handles retrofit into most factory machines including soft drink machines where the handle housing is integral to the coin slot hardware. Common applications include vending machines, bill changers and ticket dispensers.

## Warranty:

Warranted for two years against manufacturer's defects. See Medeco Limited Warranty for full details.

## Technical Information:

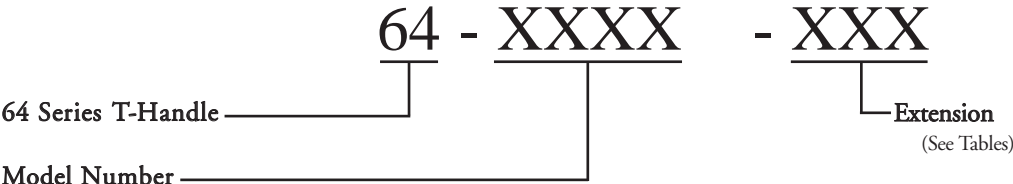
Available with screw type extensions, 360 degree operations.

Available with Cam type standard housing, 90 degree rotation.

Also available is a cam type low profile housing.

Inserts allow for re-use of existing extension shafts and adapt to both quarter turn and screw type applications.

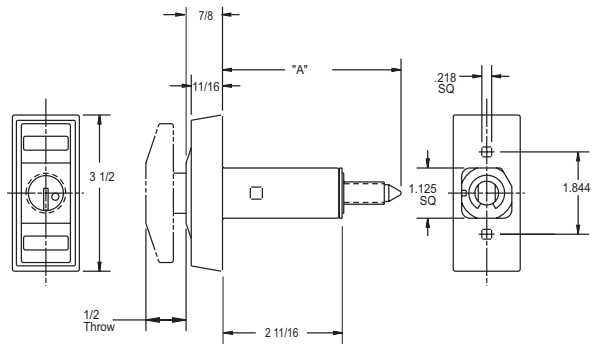
# Ordering Instructions



- 3011 = T-Handle, screw type with housing
- 3012 = T-Handle, cam type with housing
- 3014 = T-Handle, cam type with low profile housing
- 3053 = Insert only, screw type, less housing, less extension
- 3054 = Insert only, screw type, less housing
- 3055 = Insert only, cam type, less housing, less extension
- 3056 = Insert only, cam type, less housing

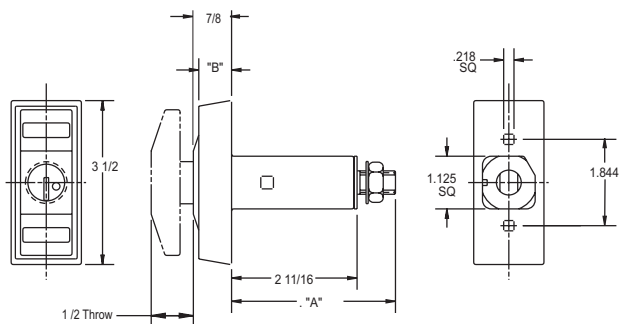
# Technical Drawings

## SCREW TYPE, 360° T-HANDLE



Part #	A	Thread
64-3011 -000	N/A	N/A
64-3011 -401	4 7/8"	1/2-13 UNC 2A
64-3011 -406	4 1/4"	1/2-13 UNC 2A
64-3011 -505	5 5/8"	1/2-13 UNC 2A
64-3011 -607	6 5/16"	1/2-13 UNC 2A
64-3011 -906	9 3/16"	1/2-13 UNC 2A

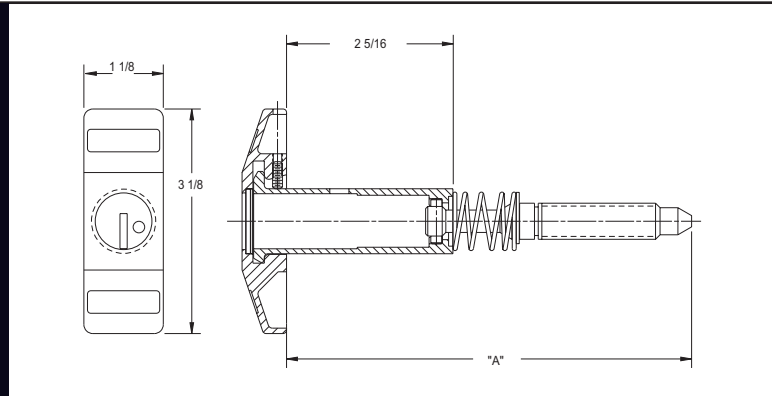
## CAM TYPE, 90° T-HANDLE



Part #	B	A	Thread
64-3012 -000	11/16"	N/A	N/A
64-3012 -101	11/16"	3 5/8"	1/2-13 UNC 2A, 3/8" Double D Flats
64-3012 -103	11/16"	4 7/8"	1/2-20 UNF 2A, 7/16" Square Flats
64-3012 -104	11/16"	3 5/8"	1/2-20 UNF 2A, 7/16" Square Flats
64-3014 -000	1/2"	N/A	N/A
64-3014 -101	1/2"	3 5/8"	1/2-13 UNC 2A, 3/8" Double D Flats
64-3014 -103	1/2"	4 7/8"	1/2-20 UNF 2A, 7/16" Square Flats
64-3014 -104	1/2"	3 5/8"	1/2-20 UNF 2A, 7/16" Square Flats

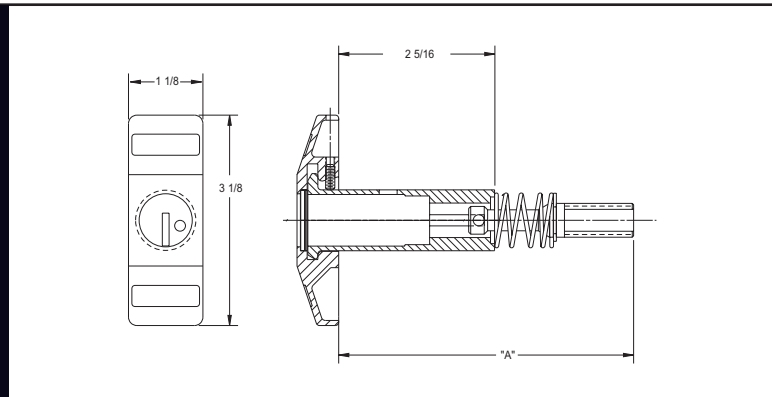
# Technical Drawings

## SCREW TYPE INSERT ONLY

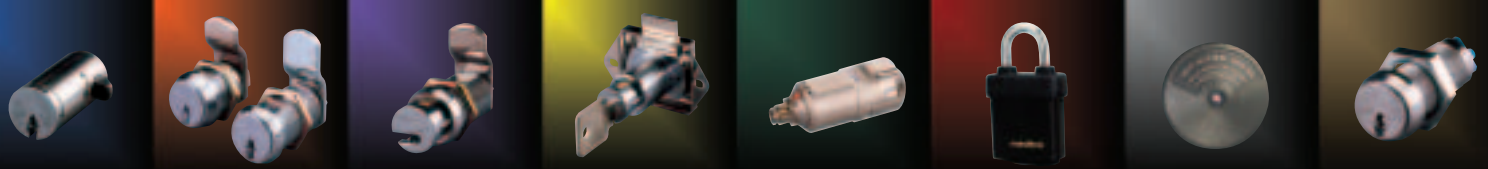


Part #	A	Thread
64-3053	N/A	N/A
64-3054 -401	5 5/8"	1/2-13 UNC 2A
64-3054 -406	5"	1/2-13 UNC 2A
64-3054 -505	6 3/8"	1/2-13 UNC 2A
64-3054 -607	7 1/16"	1/2-13 UNC 2A
64-3054 -906	9 15/16"	1/2-13 UNC 2A

## CAM TYPE INSERT ONLY



Part #	A	Thread
64-3055	N/A	N/A
64-3056 -101	4 3/8"	1/2-13 UNC 2A, 3/8" Double D Flats
64-3056 -103	5 5/8"	1/2-20 UNF 2A, 7/16" Square Flats
64-3056 -104	4 3/8"	1/2-20 UNF 2A, 7/16" Square Flats



# Removable Plug Lock

Medeco® offers two models of removable plug locks that allow access to internal latching mechanisms with the 90 degree rotation and withdrawal of the cylinder plug. Specifically designed for vending equipment, money changers, and fare collection systems, the 64W0550 series is recommended in any high risk application where equipment is susceptible to forced entry and vandalism. Models are available to fit recessed mounts or surface mounts. Available in a brass or hardened steel shell for applications prone to the most abusive forms of physical attack.



The Medeco<sup>3</sup> unique design provides triple locking action, making the locks virtually pickproof. All Medeco<sup>3</sup> keys and locks are protected under patent trademark and copyright laws. Medeco<sup>3</sup> keys may only be duplicated by Medeco or an authorized Medeco Service Center, and only at your request.

## Benefits:

- ▼ Patented Medeco<sup>3</sup> keys may only be duplicated by Medeco or an authorized Medeco Service Center, and only at your request.
- ▼ Special angle cut keys are patent protected to guard against unauthorized duplication.
- ▼ Supported by Medeco factory trained service outlets.
- ▼ Unique elevating and rotating pin tumbler system is virtually pick proof

## Applications:

Specifically designed for vending equipment, money changers and fare collection systems. Effective for applications prone to the most abusive forms of attack.

## Warranty:

Warranted for two years against manufacturer's defects. See Medeco Limited Warranty for full details.

## Technical Information:

Available in a 5 pin version.

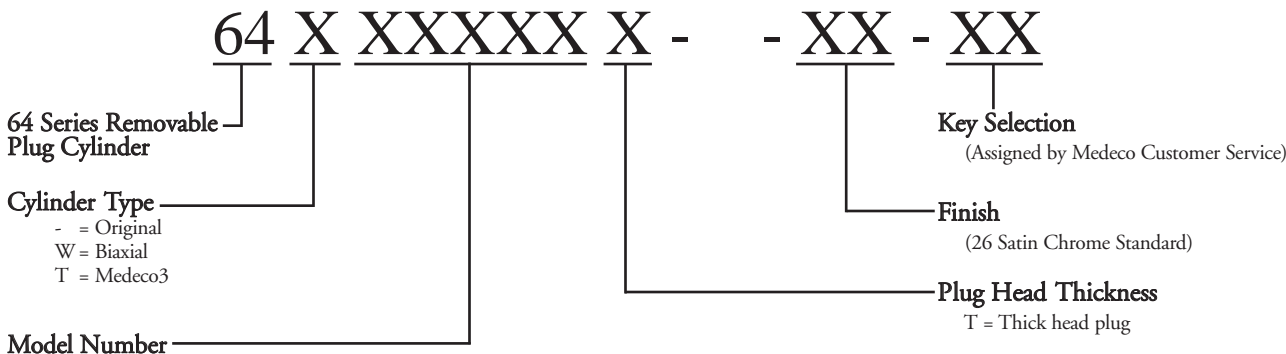
Shell comes in a hardened steel or brass finish.

Shell head may be either tapered or square.

## Finishes:

26 Satin chrome finish is standard.

# Ordering Instructions

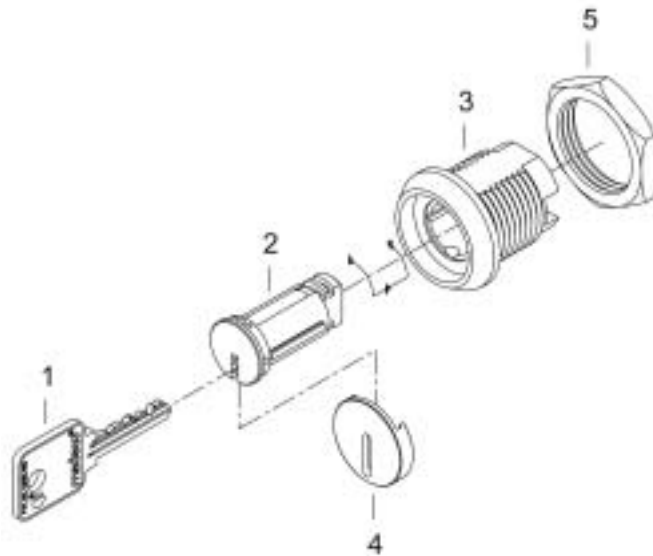


- Model Number**
- 0250 = 5 pin removable plug lock, 3/4" diameter, 1 keypull
  - 0251 = 5 pin removable plug lock, 3/4" diameter, 2 keypulls
  - 0550 = 5 pin removable plug lock, 1 1/8" diameter, steel shell
  - 0550A = 5 pin removable plug lock, 1 1/8" diameter, steel shell, rotated flats
  - 0550F = 5 pin removable plug lock, steel tapered shell
  - 0555 = 5 pin removable plug lock, 1 1/8" diameter, brass shell
  - 0555F = 5 pin removable plug lock, 1 1/8" diameter, brass tapered shell
  - \* 0552F = 5 pin removable plug lock, 1 1/8" diameter, steel shell with spin shield

\* Not available in Medeco3 Keyways.



## Removable Plug Lock with Spin Shield

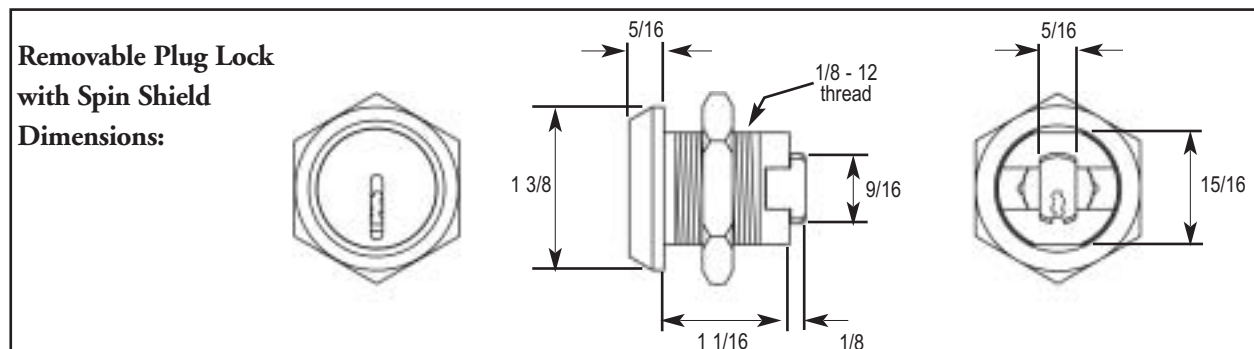


ITEM	DESCRIPTION
1	Key (Sold Separately)
2	Plug Assembly
3	Shell
4	Shield
5	1 1/8 - 12 Hex Nut

**Specifications:** Medeco 64W0550 series removable plug cylinders allow access to internal latching mechanisms with the 90 degree rotation and withdrawal of the cylinder plug. Model number 0552 features a hardened steel shell and spinning plug shield to resist forced entry and vandalism. Typical applications include vending equipment, bill changers, and fare collection systems, anywhere additional security beyond standard cam locks is required. Medeco removable plug locks are completely serviceable, and can be re-keyed to new codes as required.

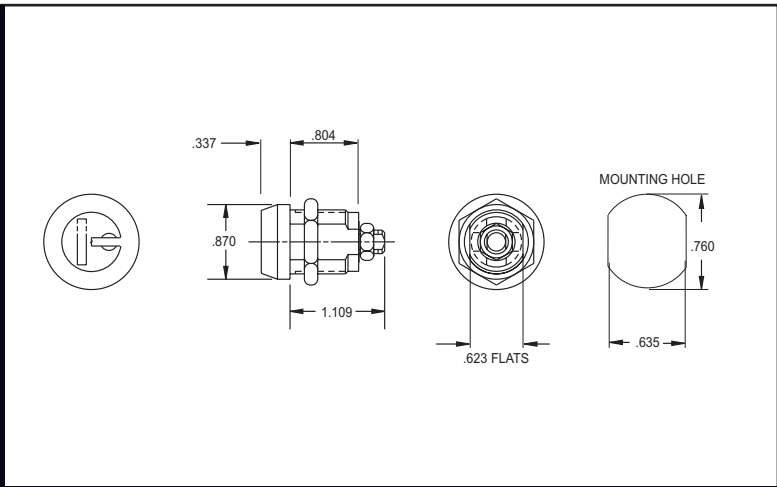
**Material:** plug made of chrome plated (626 finish) half hard brass. Shell and shield are made of hardened chrome plated (626 finish) steel.

**Operation:** Five pin model available. 90 degree, clockwise (or counterclockwise) rotation and withdrawal to access internal latching mechanism.



# Technical Drawings

## 3/4" REMOVABLE PLUG LOCK



Part #

Key Pulls

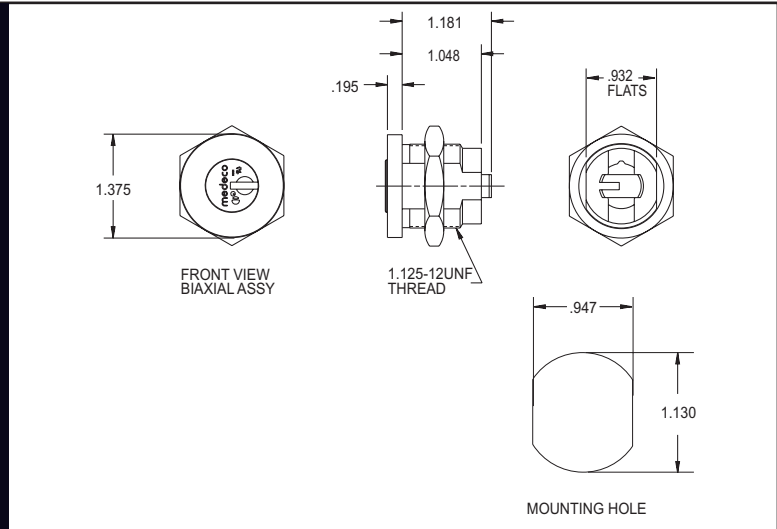
64X0250X

One

64X0251X

Two

## 1 1/8" REMOVABLE PLUG LOCK



Part #

Key Pulls

Flats

Mounting

64X0550 X -

One

Vertical

Flush (Square Bezel)

64X0550AX -

One

Horizontal

Flush (Square Bezel)

64X0550FX -

Two

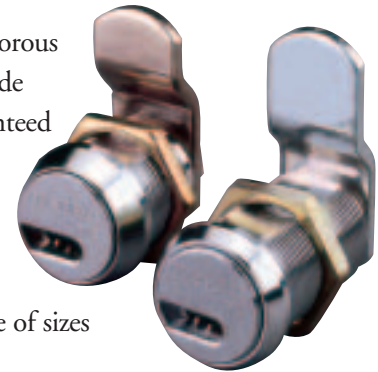
Vertical

Surface (Tapered Bezel)



# DuraCam® Cam Locks

Medeco's® DuraCam series of cam locks were specifically designed to meet the rigorous requirements of the gaming industry. With an 1/8" thick key cut on the broad side instead of on top, DuraCam offers one of the strongest keys in the market, guaranteed against breakage. No other lock manufacturer in the gaming industry can be compared with Medeco's 30 year history of security and reliability. The strongest key combined with patented key programs that prevent the unauthorized duplication of keys make Medeco the obvious choice for gaming professionals. Keyed alike or different, Medeco's DuraCam series cam locks offer a complete line of sizes and functions to meet your specific gaming needs.



Medeco's unique elevate and rotate pin tumbler design provides double locking action, making cylinders virtually pick proof. All Medeco Biaxial keys and cylinders are protected under patent, trademark, and copyright laws. Biaxial keys may only be duplicated by Medeco or by an authorized Medeco Service Center, and only at your request.



## Benefits:

- ▼ DuraCam offers one of the strongest keys in the gaming industry, guaranteed against breakage.
- ▼ All Medeco cylinders are constructed of durable machined brass components, designed to last the life of your equipment.
- ▼ Unique elevating and rotating tumbler pin system is virtually pick proof.
- ▼ Patented Biaxial keys may only be duplicated by Medeco or authorized Medeco Service Center, and only at your request.
- ▼ Medeco cam locks are completely serviceable, and can be re-keyed in case of lost or stolen keys
- ▼ Locks can be keyed alike or different, depending on your specific needs.
- ▼ Available in all standard lengths, key retained or not, one or two flat, and various rotations.

## Applications:

Medeco's DuraCam series of cam locks are specifically designed for 3/4" diameter slot lock and other casino equipment applications where key breakage is the major lock related issue.

## Warranty:

Warranted for two years against manufacturer's defects. See Medeco limited Warranty for full details.

## Technical Information:

Four and five pin models available depending on size.

Available in standard sizes from 5/8" to 1 1/2". One and two flat models available, key retaining or not.

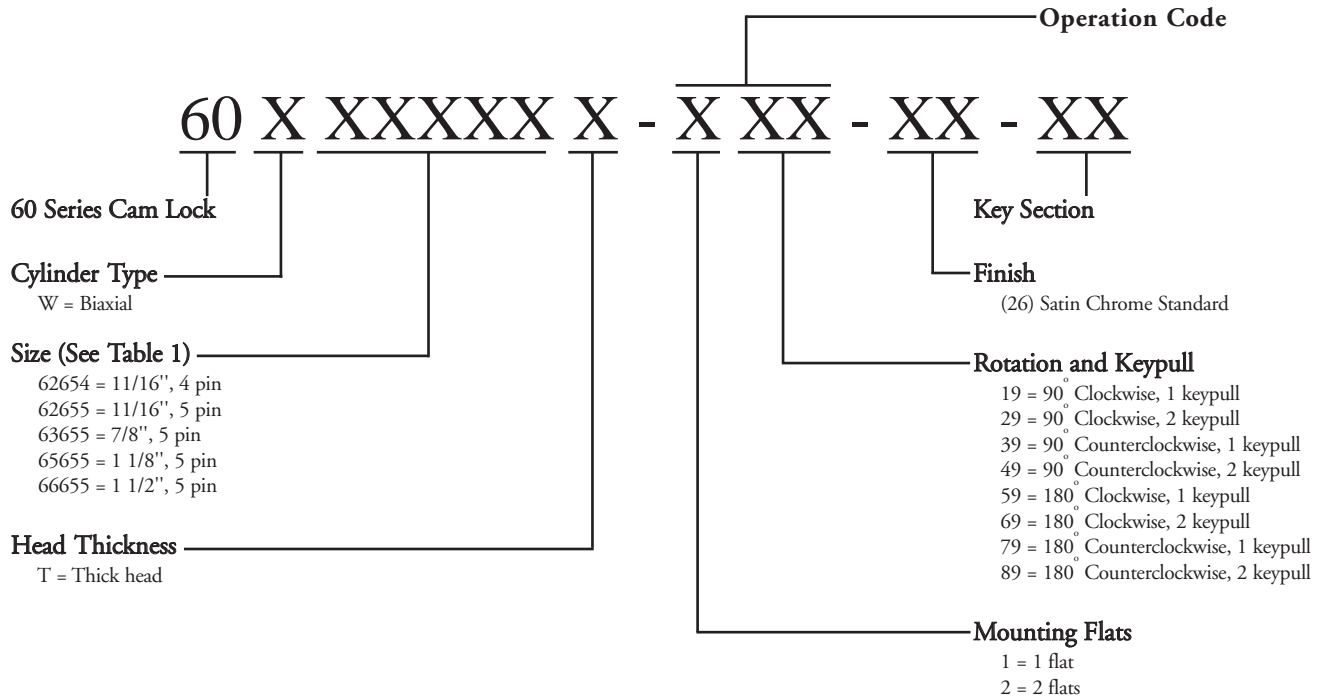
Clockwise or counterclockwise rotation, 90° or 180°. Keyed alike or keyed different.

## Finishes:

26 Satin chrome finish standard. Other finishes available, depending on volume.

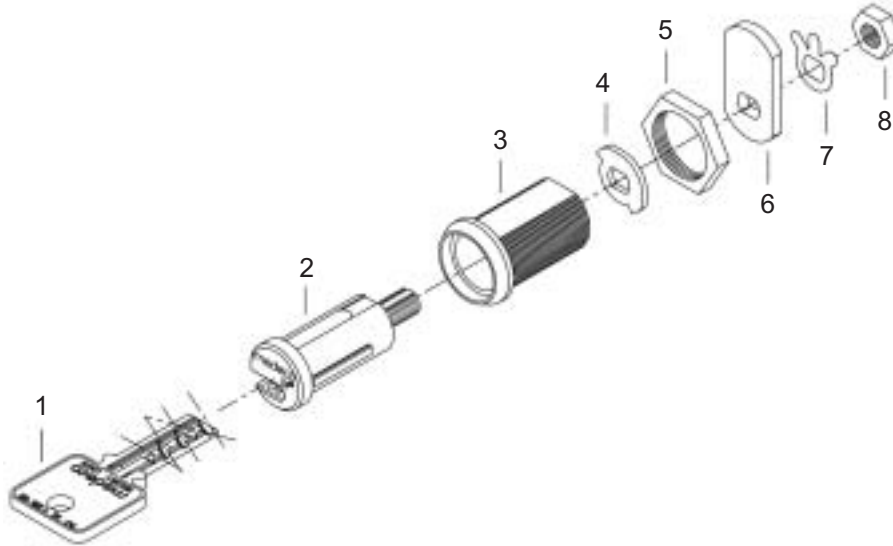
# Ordering Instructions

DuraCam® gaming locks are only sold through authorized Medeco® gaming service centers and distributors. Medeco 60 series cam locks are sold less keys. Specify number of keys required under separate line item. Cams sold separately, reference cams section to select proper cam type.



# Exploded View

## DURACAM GAMING LOCK

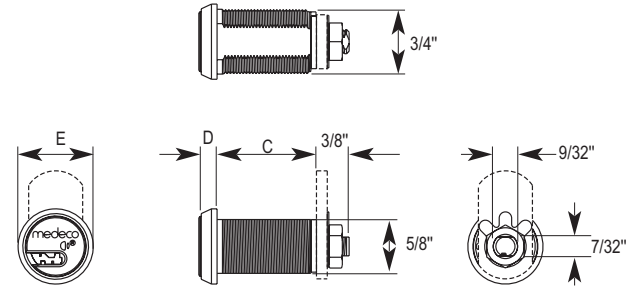


ITEM	DESCRIPTION
1	Key
2	Plug Assembly
3	Shell
4	Stop
5	3/4" Nut
6	Cam
7	Tab Washer
8	9/32" Nut

# Technical Drawings

## DURACAM GAMING LOCK SIZES

C = Body Length      E = Head Diameter  
 D = Head Length



Size Code	# of Pins	C	D	E
62654	4	11/16"	5/16"	7/8"
62655	5	11/16"	7/16"	1"
63655	5	7/8"	5/16"	7/8"
65655	5	1 1/8"	3/16"	7/8"
66655	5	1 1/2"	3/16"	7/8"

Standard sizes described. Consult Medeco® customer service for variations not described.

## DURACAM GAMING LOCK MOUNTING DETAIL AND OPERATION CODES

Figure 1 - Single D Mounting

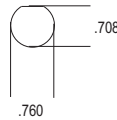


Figure 2 - Double D Mounting

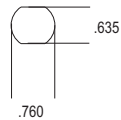
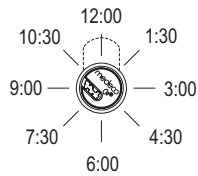
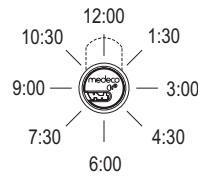
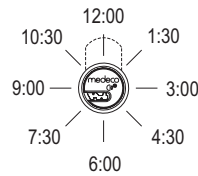
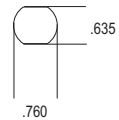


Figure 3 - Double D Mounting



Cylinders shown in locked position.

Operation Code	# of Flats	Reference	Direction	Travel	Rotation		Keypulls
					From	To	
119	1	Figure 1	Clockwise	90°	9:00	12:00	1
129	1	Figure 1	Clockwise	90°	9:00	12:00	2
139	1	Figure 1	Counterclockwise	90°	9:00	6:00	1
149	1	Figure 1	Counterclockwise	90°	12:00	9:00	2
159	1	Figure 1	Clockwise	180°	9:00	3:00	1
169	1	Figure 1	Clockwise	180°	9:00	3:00	2
179	1	Figure 1	Counterclockwise	180°	9:00	3:00	1
189	1	Figure 1	Counterclockwise	180°	9:00	3:00	2
219	2	Figure 2	Clockwise	90°	9:00	12:00	1
229	2	Figure 3	Clockwise	90°	10:30	1:30	2
239	2	Figure 2	Counterclockwise	90°	9:00	6:00	1
249	2	Figure 3	Counterclockwise	90°	1:30	10:30	2
259	2	Figure 2	Clockwise	180°	9:00	3:00	1
269	2	Figure 2	Clockwise	180°	9:00	3:00	2
279	2	Figure 2	Counterclockwise	180°	9:00	3:00	1
289	2	Figure 2	Counterclockwise	180°	9:00	3:00	2



# DuraCam® II Removable Core Cam Lock

Medeco's® DuraCam series of cam locks with the removable core function is the ultimate security solution for the gaming industry. With a 1/8" thick key cut on the broad side instead of on top, DuraCam II offers one of the strongest keys in the market guaranteed against breakage. Designed specifically to meet the rigorous demands of slot collections and service, DuraCam removable core provides one of the strongest keys in the industry with a quick change plug, to keep your equipment up and running. No other lock manufacturer in gaming can compare with Medeco's 30 year history of security and reliability. The strongest key, removable core, combined with patented key programs that prevent the unauthorized duplication of keys make Medeco the obvious choice for gaming professionals. Keyed alike or different, Medeco's DuraCam series cam locks offer a complete line of sizes and functions to meet your specific gaming needs.



Medeco's unique elevate and rotate pin tumbler design provides double locking action, making cylinders virtually pick proof. All Medeco Biaxial keys and cylinders are protected under patent, trademark, and copyright laws. Biaxial keys may only be duplicated by Medeco or by an authorized Medeco Service Center, and only at your request.

## Benefits:

- ▼ DuraCam offers one of the strongest keys in the gaming industry, guaranteed against breakage.
- ▼ Removable core function allows minimal down time during lock change out due to lost or stolen keys.
- ▼ All Medeco cylinders are constructed of durable machined brass components, designed to last the life of your equipment.
- ▼ Unique elevating and rotating tumbler pin system is virtually pick proof.
- ▼ Patented Biaxial keys may only be duplicated by Medeco or authorized Medeco Service Center, and only at your request.
- ▼ Medeco cam locks are completely serviceable, and can be re-keyed in case of lost or stolen keys
- ▼ Locks can be keyed alike or different, depending on your specific needs.
- ▼ Available in standard lengths, key retained, two flat, and various rotations.

## Applications:

Medeco's DuraCam series of removable core cam locks are specifically designed for 3/4" diameter slot lock and other casino equipment applications where key breakage and quick change are the major lock related issue.

## Warranty:

Warranted for two years against manufacturer's defects. See Medeco limited Warranty for full details.

## Technical Information:

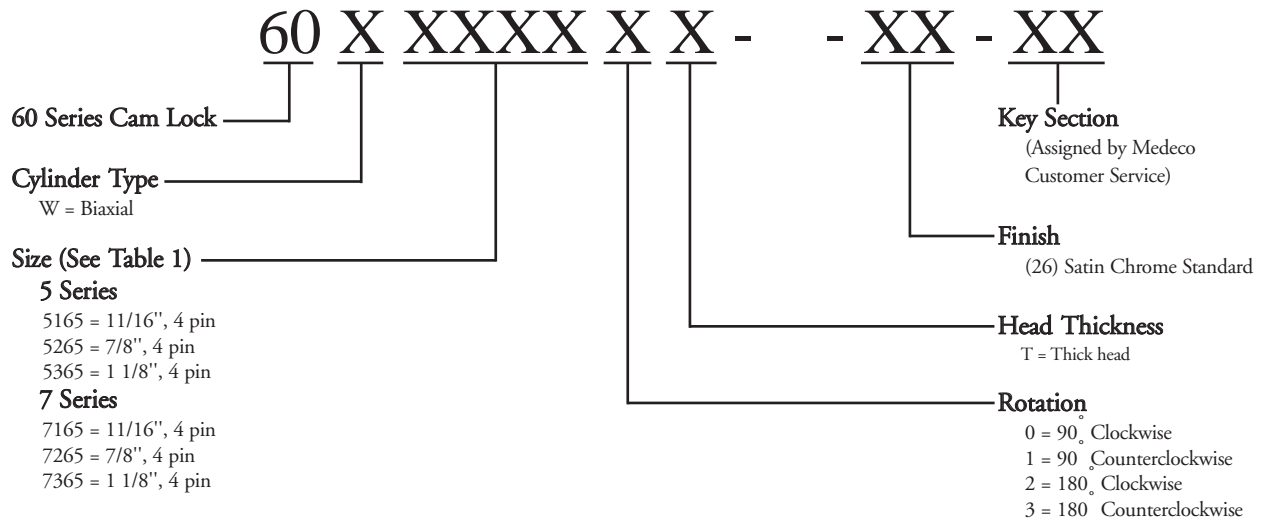
Four models available. Standard sizes include 5/8", 7/8", and 1 1/8". Two flat models available, key retained. Clockwise or counterclockwise rotation, 90° or 180°. Keyed alike or keyed different.

## Finishes:

26 Satin chrome finish is standard. Other finishes available, depending on volume.

# Ordering Instructions

DuraCam® II removable core gaming locks are only sold through authorized Medeco gaming service centers and distributors. DuraCam II removable core gaming locks are key retaining only. Medeco 60 series cam locks are sold less keys. Specify number of keys required under separate line item. Cams sold separately, reference cams section to select proper cam type.



## What is the difference between 5 and 7 Series locks?

The 7 Series is the latest generation of Removable Core Cam Locks.

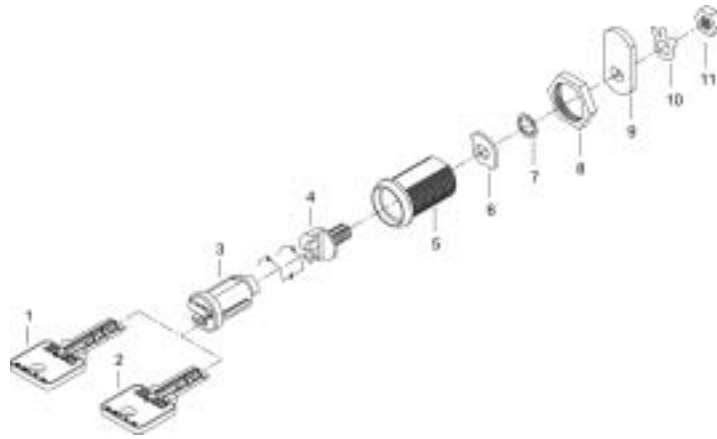
The 5 Series locks require a different core for clockwise or counterclockwise applications. If you are adding to an existing system that uses 5 Series locks, we recommend that you continue to order 5 Series product.

The 7 Series locks use the same core for all applications. If you are ordering product for a new system or application, we recommend the 7 Series. You will never have to worry about selecting the proper core for an application, and you will only have to stock one type of core.

When ordering a complete 5 or 7 Series Cam Lock, you must still specify the rotation so that the actuators and stop washers will be assembled properly. However, all 7 Series locks will use the same replacement core.



## DURACAM II REMOVABLE CORE



ITEM	DESCRIPTION
1	Operating Key (for operating lock)
2	Control Key (for removing core)
3	Plug Assembly
4	Cam Adaptor
5	Shell
6	Stop
7	Retainer
8	3/4" Nut
9	Cam
10	Tab Washer
11	9/32" Nut

# Technical Drawings

## DURACAM II REMOVABLE CORE GAMING LOCK SIZES

C = Body Length

E = Head Diameter

D = Head Length

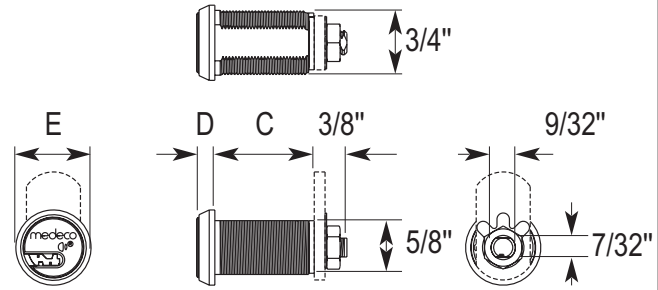


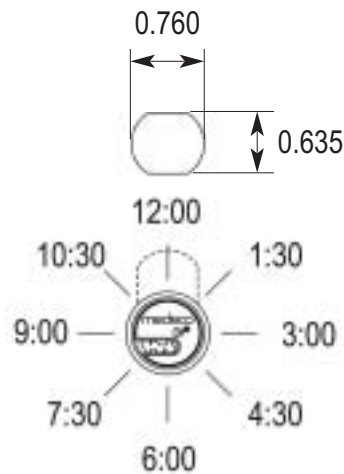
Table 1

Size Code	# of Pins	C	D	E
5165	4	11/16"	5/8"	1"
5265	4	7/8"	7/16"	1"
5365	4	1 1/8"	3/16"	7/8"
7165	4	11/16"	5/8"	1"
7265	4	7/8"	7/16"	1"
7365	4	1 1/8"	3/16"	7/8"

Standard sizes described. Consult Medeco® customer service for variations not described.

## DURACAM II REMOVABLE CORE GAMING LOCK MOUNTING DETAIL AND ROTATION

### Double D Mounting



Cylinder is shown in locked position

Table 2

Rotation	Direction	Travel	From	To
0	Clockwise	90°	9:00	12:00
1	Counterclockwise	90°	9:00	6:00
2	Clockwise	180°	9:00	3:00
3	Counterclockwise	180°	9:00	3:00

# Set-Up and Service Information for the DuraCam II

With the DuraCam II removable core cam lock product line, Medeco is able to offer some unique features beyond the ability to provide instantaneous, secure key changes, that really add value to the professional gaming end user.

## Set-Up Core Program

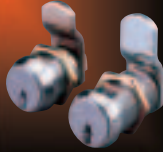
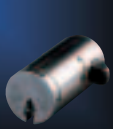
During the installation of a new bank of slot machines, the coordination of the base and machine placement, electrical work, and lock installation is critical, and one of the easiest times to lose a key. Medeco offers a set-up core for the DuraCam II so that the risk and liability of a lost key are minimized. Set-up cores come in a three pin, unfinished plug with a vertical keyway, or a plastic dummy plug; which are easily recognizable from the standard horizontal keyway DuraCam II plugs. Set-up cores can be installed with the locks by the base and machine builders at their locations, thereby providing a way to keep the doors shut during transition but without compromising your key security. After installation of the machines is complete on the casino floor, and it is time to install locks, all that is required is five seconds to change out the set-up plug for the DuraCam II plug. The three pin set up cores can be returned to your Medeco Service Center once the installation is complete. This process can save hours of set up time during lock installation and valuable start-up costs.

Part #	Description
66-294435-	Three Pin Set-Up Core, Clockwise Function (5 series only)
66-299435-	Three Pin Set-Up Core, Counter Clockwise Function (5 series only)
CP-285160	Plastic Set-Up Core

## Service Core Program

Medeco also offers service cores for times when machines are either down for maintenance on the floor, or need to be taken off the floor for repair, but still need security. Service cores are four pin, vertical keyway plugs, and once again are easily recognizable from the standard horizontal keyway DuraCam II plugs. These plugs can be keyed alike or different depending on your security requirements, and can have any standard Medeco finish.

Part #	Description
66-297556-	Four Pin Removable Core Plug, Clockwise Function (5 series only)
66-296556-	Four Pin Removable Core Plug, Counter Clockwise Function (5 series only)



# Switch Locks

Medeco® 3/4" diameter, high security switch locks offer a wide range of electrical functions with the physical security and patented key control of a Medeco cylinder. Available in either single or double switch models, Medeco switch locks are ideally suited for applications requiring controlled access to electrically activated systems, including alarms, ATMs, time delay safes, encryption devices, heavy power equipment, control panels, and electrically accessed doors and gates. Switch locks use a five pin cylinder to maximize keyed different and master keying capabilities. Medeco design and engineering resources are available to assist customers with special functional requirements.



The Medeco<sup>3</sup> unique design provides triple locking action, making the locks virtually pick proof. All Medeco<sup>3</sup> keys and locks are protected under patent, trademark, and copyright laws. Medeco<sup>3</sup> keys may only be duplicated by Medeco or by an authorized Medeco Service Center, and only at your request.

## Benefits:

- ▼ Available in single or double switch models, momentary and maintained positions.
- ▼ Silver or gold contacts (for low amperage applications) designed to accept quick connect leads.
- ▼ Hardened stainless steel inserts inside the cylinder provide the ultimate defense against drill, pull, punch, and other forms of physical attack.
- ▼ Unique elevating and rotating tumbler pin system is virtually pick proof.
- ▼ Patented Medeco<sup>3</sup> keys may only be duplicated by Medeco or authorized Medeco Service Center, and only at your request.
- ▼ Medeco switch locks can be re-keyed by authorized Medeco Service Centers in case of lost or stolen keys.
- ▼ Medeco switch locks can be keyed in with other 60 series products (10 series products may be keyed into existing 60 series systems).
- ▼ Locks can be keyed alike, keyed different, or master keyed depending on your specific needs.

## Applications:

Medeco high security switch locks can be used to retrofit many 3/4" switch lock applications including:

- |                             |                    |
|-----------------------------|--------------------|
| Heavy Power Machinery       | Encryption Devices |
| Time Delay Safes            | Alarms             |
| Material Handling Equipment | Control Panels     |
| Construction Vehicles       | ATMs               |
| Electrically Accessed Gates |                    |
| Cash Control Systems        |                    |

## Certification:

Lock - UL® 437 Listed  
Switch - UL Registered, CSA Certified

## Warranty:

Warranted for two years against manufacturer's defects. See Medeco limited Warranty for full details.

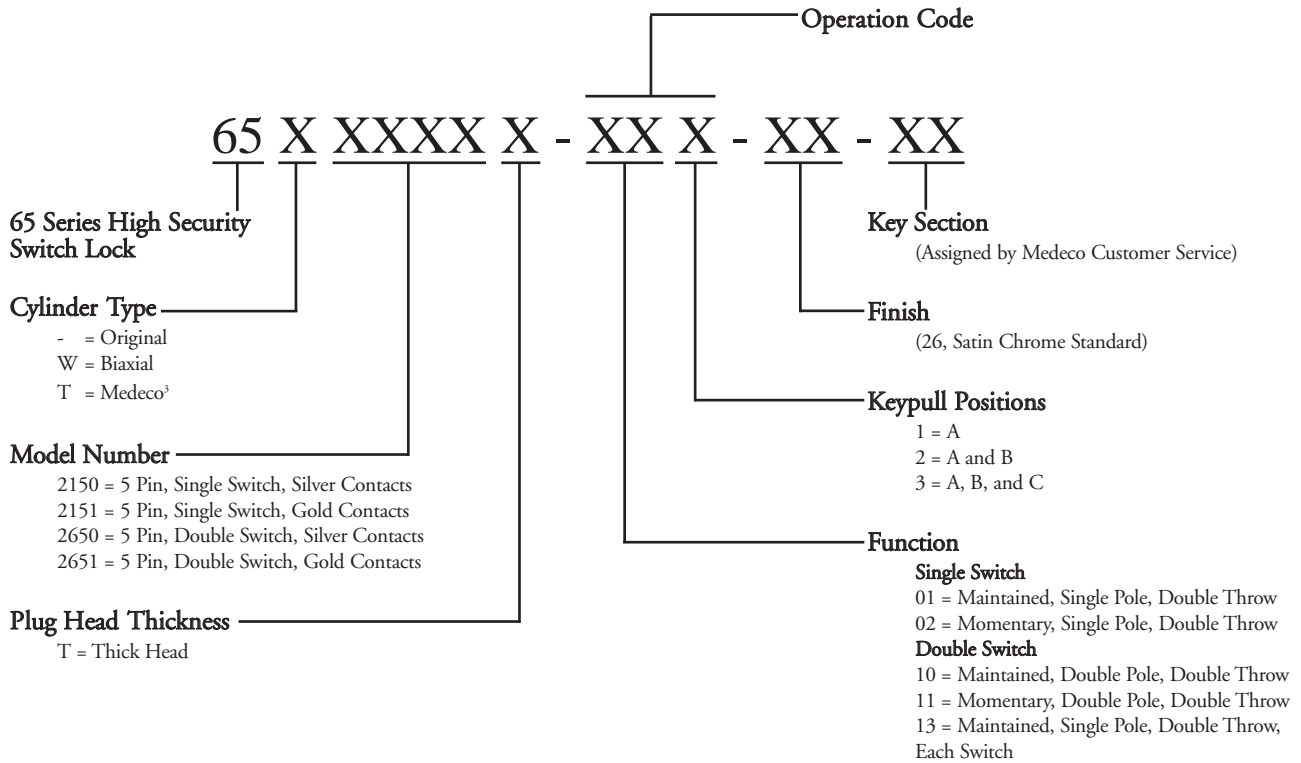
## Technical Information:

Five pin, 3/4" double "D" mounting standard. Available in either single or double switch models with silver (or gold) contacts. Rated at 7 amps resistive at 125/250 VAC. Contacts designed to accept quick connect leads (AMP connector number 60598-3).

## Finishes:

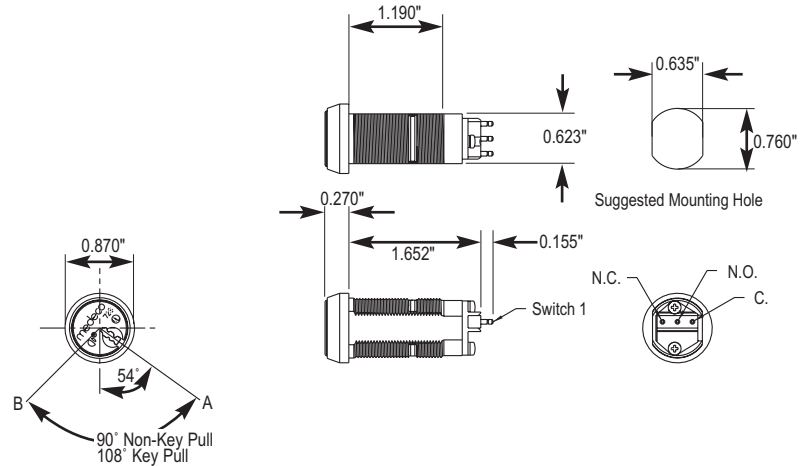
26 Satin chrome finish standard.

# Ordering Instructions



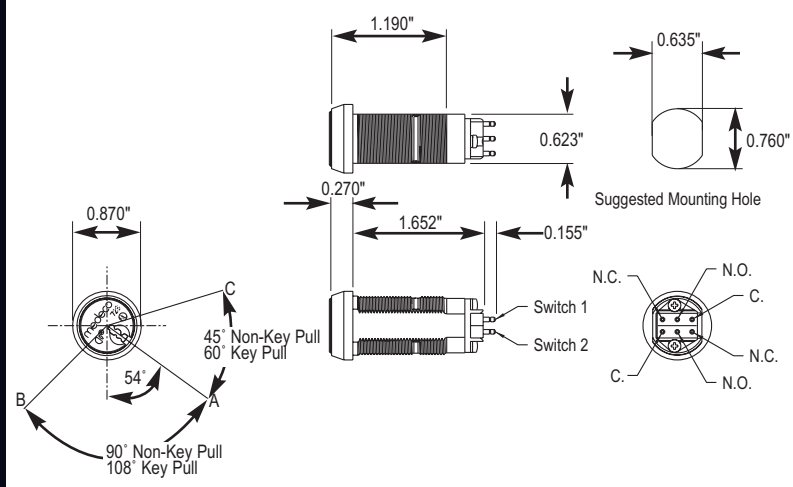
# Technical Drawings

## SINGLE SWITCH LOCKS



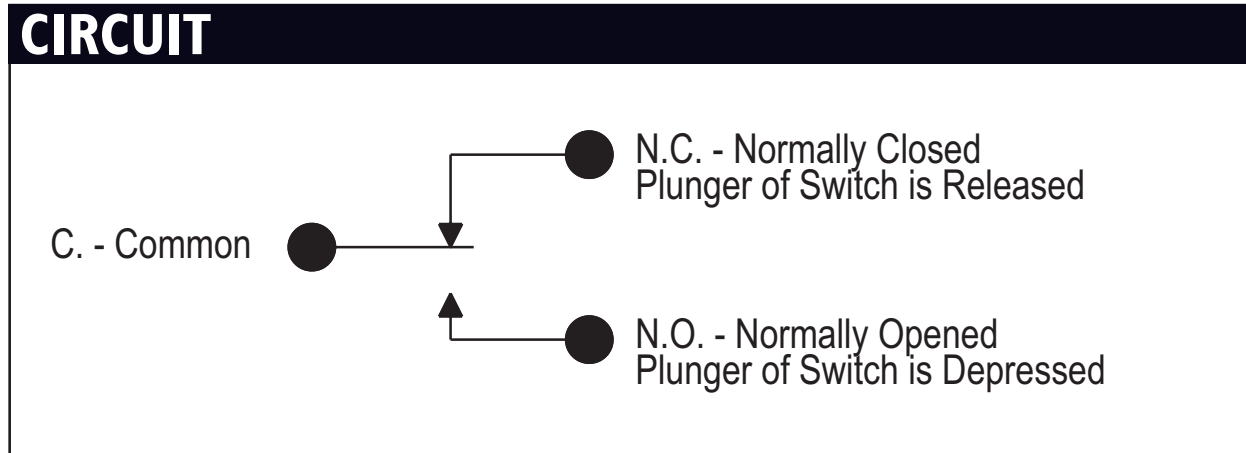
Op Code	Position A	Position B	Position C
011	Switch 1 - N.C.	Switch 1 - N.O.	N/A
012	Switch 1 - N.C.	Switch 1 - N.O.	N/A
021	Switch 1 - N.C.	Switch 1 - N.O.	N/A

## DOUBLE SWITCH LOCKS



Op Code	Position A	Position B	Position C
101	Switch 1 - N.C.	Switch 1 - N.O.	N/A
	Switch 2 - N.C.	Switch 2 - N.O.	
102	Switch 1 - N.C.	Switch 1 - N.O.	N/A
	Switch 2 - N.C.	Switch 2 - N.O.	
111	Switch 1 - N.C.	Switch 1 - N.O.	N/A
	Switch 2 - N.C.	Switch 2 - N.O.	
131	Switch 1 - N.C.	Switch 1 - N.O.	Switch 1 - N.C.
	Switch 2 - N.O.	Switch 2 - N.O.	Switch 2 - N.C.
132	Switch 1 - N.C.	Switch 1 - N.O.	Switch 1 - N.C.
	Switch 2 - N.C.	Switch 2 - N.C.	Switch 2 - N.O.
133	Switch 1 - N.C.	Switch 1 - N.O.	Switch 1 - N.C.
	Switch 2 - N.C.	Switch 2 - N.C.	Switch 2 - N.O.

# Technical Drawings



## Electrical Data:

115/250 VAC, Silver Contacts	Sea Level	50,000 feet
Resistive	7 Amps	
Inductive	4 Amps	
Lamp	2 Amps	

28 VDC, Silver Contacts	Sea Level	50,000 feet
Resistive	7 Amps	4 Amps
Inductive	4 Amps	2.5 Amps
Lamp	2.5 Amps	2.5 Amps

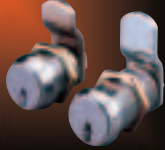
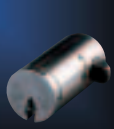
28 VDC, Gold Contacts	Sea Level	50,000 feet
Resistive	1 Amp	1 Amp
Inductive	0.5 Amps	0.5 Amps

Mechanical Life:	50,000 Cycles
Electrical Life, at Full Load:	25,000 Cycles
Operating Temperature:	-60° to 180° F

Contacts designed to accept quick connect leads (AMP connector number 60598-3).

## Accessories

PART #	Description
CP-27001I	4" Leadwire
CP-27002I	6" Leadwire
CP-27003I	12" Leadwire
CP-27004I	18" Leadwire
CP-27005I	24" Leadwire
CP-27006I	36" Leadwire
65-0003	Sleeve Kit. Includes chrome plated zinc sleeve with rubber grommet, 1 plain washer, 1 pronged washer. Used for mounting cam locks in harsh environments.
CP-150142	Silver Sub Miniature Snap Action Switch. Single Pole - Single or Double Throw
CP-150152	Gold Sub Miniature Snap Action Switch. Single Pole - Single or Double Throw
CP-150182	Silver Sub Miniature Snap Action Switch. Double Pole/Double Throw
CP-150102	Gold Sub Miniature Snap Action Switch. Double Pole/Double Throw



# Rotary Switch Lock

Medeco's rotary switch lock is designed for use with most brands of rotary switches, providing maximum versatility in systems requiring multiple switch functions. Switch locks are available with a variety of key withdrawals at either 45 degrees or 30 degree increments. Positive stops are available to eliminate over-torquing of switch stops. Switch locks use a five pin cylinder to maximize keyed different and master keying capabilities. Medeco design and engineering resources are available to assist customers with special functional requirements.



The Medeco<sup>3</sup> unique design provides triple locking action, making the locks virtually pickproof. All Medeco<sup>3</sup> keys and locks are protected under patent trademark and copyright laws. Medeco<sup>3</sup> keys may only be duplicated by Medeco or an authorized Medeco Service Center, and only at your request.

## Benefits:

- ▼ Hardened stainless steel inserts inside the cylinder provide the ultimate defense against drill, pull, punch, and other forms of physical attack on the cylinder.
- ▼ Unique elevating and rotating tumbler pin system is virtually pick proof.
- ▼ Patented Medeco<sup>3</sup> keys may only be duplicated by Medeco or an authorized Medeco Service Center, and only at your request.
- ▼ Medeco switch locks can be re-keyed by authorized Medeco Service Centers in case of lost or stolen keys.
- ▼ Medeco switch locks can be keyed in with other 60 series products (10 series products may be keyed into existing 60 series systems.)
- ▼ Locks can be keyed alike, keyed different, or master keyed depending on your specific needs.

## Applications:

Medeco rotary switch locks can be used to retrofit many rotary switch lock applications including:

- |                             |                    |
|-----------------------------|--------------------|
| Heavy Power Machinery       | Encryption Devices |
| Time Delay Safes            | Alarms             |
| Material Handling Equipment | Control Panels     |
| Construction Vehicles       | ATMs               |
| Electrically Accessed Gates |                    |
| Cash Control Systems        |                    |

## Certification:

Lock - UL<sup>®</sup> 437 Listed  
Switch - UL Registered, CSA Certified

## Warranty:

Warranted for two years against manufacturer's defects. See Medeco limited Warranty for full details.

## Technical Information:

Five pin, 3/4" single "D" mounting standard.

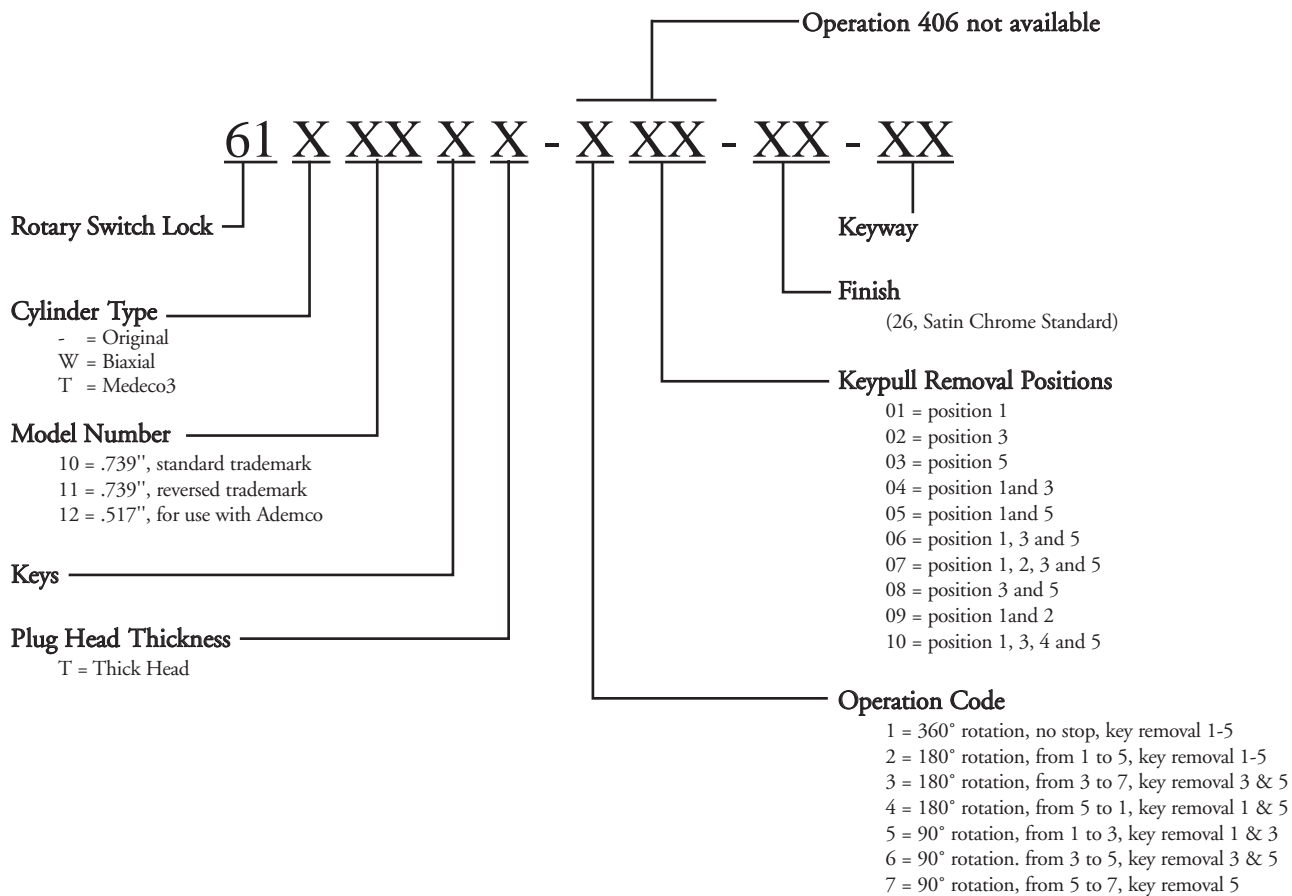
Available in 90, 180 or 360 degree rotations with key removal positions as required (see catalog).

## Finishes:

26 Satin chrome finish standard.

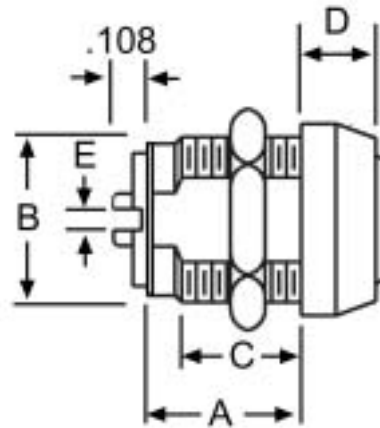


# Ordering Instructions

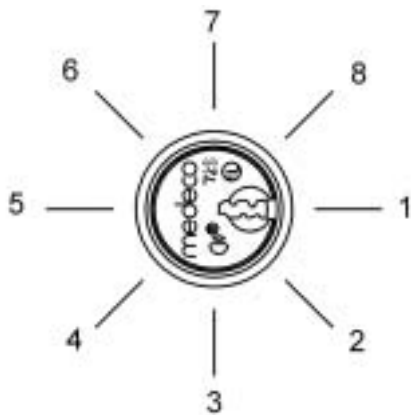


# Technical Drawings

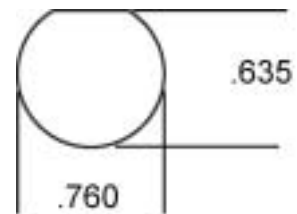
## ROTARY SWITCH LOCKS



Cylinder Type	A	B	C	D	E	Features
10	.739 18.77 mm	.75 19.05 mm	.584 14.83 mm	.337 8.30 mm	.094 19.05 mm	Trademark
11	.739 18.77 mm	.75 19.05 mm	.584 14.83 mm	.337 8.30 mm	.75 19.05 mm	Trademark Reversed
12	.517 13.13 mm	.692 17.57 mm		.515 13.08 mm	.962 17.57 mm	For use with Ademco Switch ONLY



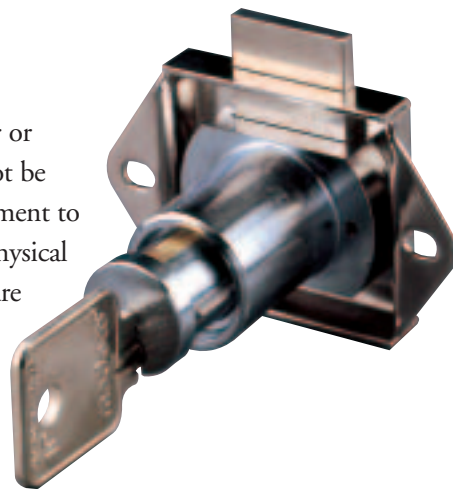
Suggested Mounting Dimensions



Operation Code	Degree of Rotation	Clockwise		Standard Key Removal Available In Position
		From Position	To Position	
1	360°			1 thru 5
2	180°	1	5	1 thru 5
3	180°	3	7	3 and 5
4	180°	5	1	1 and 5
5	90°	1	3	1 and 3
6	90°	3	5	3 and 5
7	90°	5	7	5 only

# Cabinet Locks

Medeco® high security cabinet locks are specifically designed for drawer or cabinet door applications where a conventional utility cam lock may not be suitable. Cabinet locks utilize heavy-duty bolts and multi-point attachment to the mounting surface in order to withstand the heavy use and higher physical security some applications may require. All Medeco cabinet locks feature solid brass and steel construction, available in either fixed or removable core. Patented key programs prevent the unauthorized duplication of keys and maintain system integrity. Keyed alike, keyed different, or master keyed, Medeco offers either spring latch or deadbolt models to meet your specific needs.



The Medeco<sup>3</sup> unique design provides triple locking action, making the locks virtually pick proof. All Medeco<sup>3</sup> keys and locks are protected under patent, trademark, and copyright laws. Medeco<sup>3</sup> keys may only be duplicated by Medeco or by an authorized Medeco Service Center, and only at your request.

## Benefits:

- ▼ Medeco high security cabinet locks are constructed of durable machined brass and solid steel components.
- ▼ Available in either fixed or removable core depending on your specific requirements.
- ▼ Available in either deadbolt or spring latch models.
- ▼ Unique elevating and rotating tumbler pin system is virtually pick proof.
- ▼ Patented Medeco<sup>3</sup> keys may only be duplicated by Medeco or authorized Medeco Service Center, and only at your request.
- ▼ Medeco cabinet locks are completely serviceable, and can be re-keyed in case of lost or stolen keys
- ▼ Medeco cabinet locks can be keyed in with other 60 series products (10 series products may be keyed into existing 60 series systems)
- ▼ Locks can be keyed alike, keyed different, or master keyed depending on your specific needs.

## Applications:

Medeco high security cabinet locks are specifically designed for use in metal or wooden drawer and cabinet door applications including medical and narcotics chests and cabinets, showcases, cash carts and drawers.

## Warranty:

Warranted for two years against manufacturer's defects. See Medeco limited Warranty for full details.

## Certification:

UL® 437 Listed

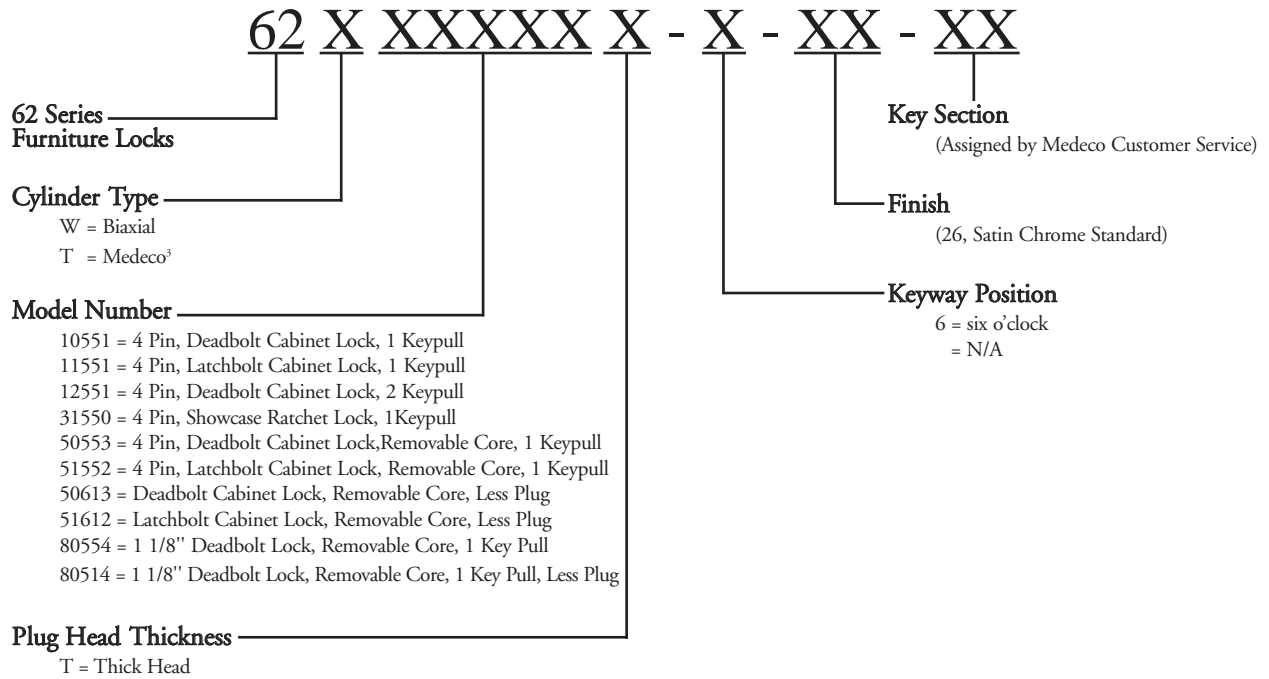
## Technical Information:

Four pin models available in either deadbolt or spring latch versions. 7/8" diameter, surface mount, fixed or removable core available. Deadbolt fixed core available in non-key retaining. Keyed alike, keyed different, or master keyed.

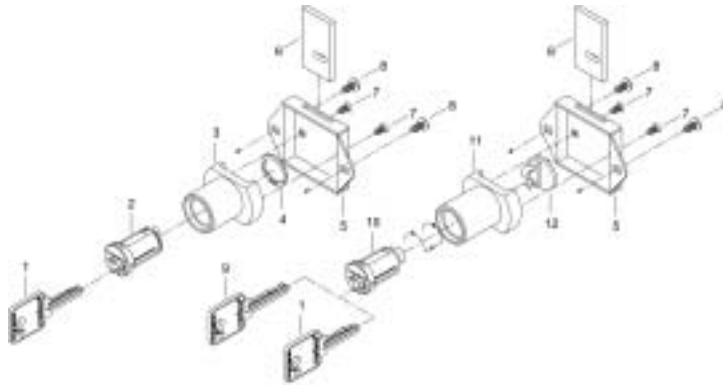
## Finishes:

26 Satin chrome finish standard. Other finishes available, depending on volume.

# Ordering Instructions



## MEDECO® DEADBOLT CABINET LOCKS



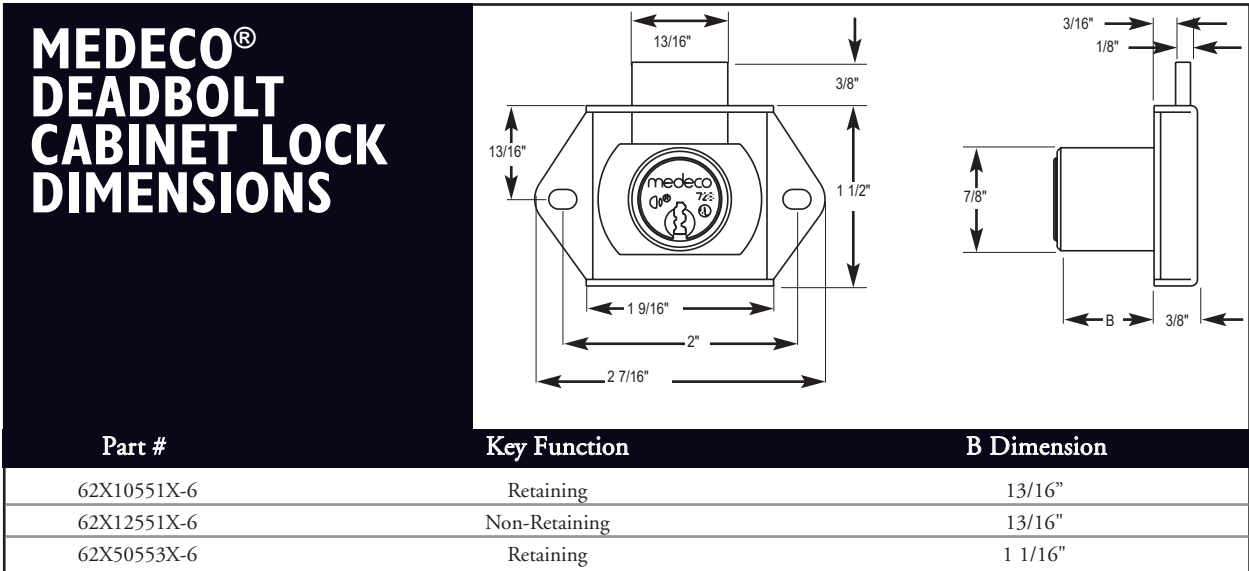
ITEM	DESCRIPTION
1	Operating Key (4 Pin key for operating lock).
2	Plug Assembly
3	Shell
4	Retaining Ring
5	Case, Deadbolt
6	Deadbolt
7	4-40 Assembly Screw
8	6-20 Mounting Screw
9	Control Key (5 Pin key for removing core).
10	Plug Assembly
11	Shell
12	Drive Adaptor, Deadbolt

# Technical Drawings

**Specifications:** Medeco deadbolt cabinet locks come in either a key retaining or non-key retaining format, and are designed for surface mount installations on wood or metal panels. Available in either standard or quick change removable core versions, Medeco deadbolt cabinet locks are completely servicable and can be re-keyed to new codes as required.

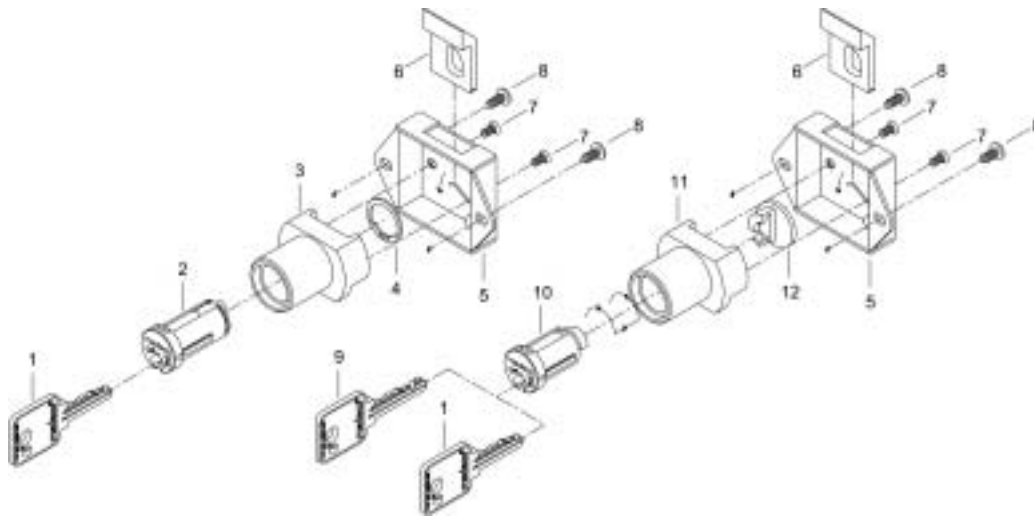
**Material:** The Cylinder is constructed from half hard brass and chrome plated finish (US626) is standard. Case and bolt are both nickel-plated steel.

**Operation:** Four pin, key retaining or non-key retaining cylinder for standard version (removable core only) available in key retaining. 180° clockwise rotation to fully retract bolt.



# Exploded View

## MEDECO® LATCHBOLT CABINET LOCKS



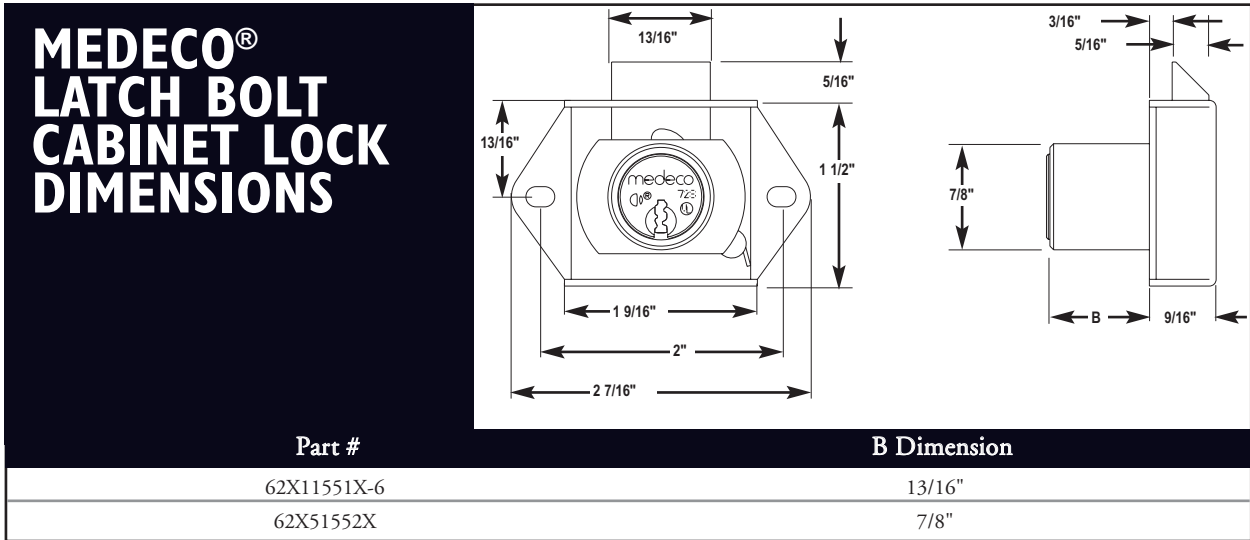
ITEM	DESCRIPTION
1	Operating Key (4 Pin key for operating lock).
2	Plug Assembly
3	Shell
4	Retaining Ring
5	Case, Latch Bolt
6	Latch Bolt
7	4-40 Assembly Screw
8	6-20 Mounting Screw
9	Control Key (5 Pin key for removing core).
10	Plug Assembly
11	Shell
12	Drive Adaptor

# Technical Drawings

**Specifications:** Medeco self-locking, latch bolt cabinet locks are designed for surface mount installations on wood or metal panels. Available in either standard or quick change removable core versions, Medeco latch bolt cabinet locks are completely servicable and can be re-keyed to new codes as required.

**Material:** The Cylinder and bolt are constructed from half hard brass and chrome plated finish (US626) is standard. Case is nickel-plated steel.

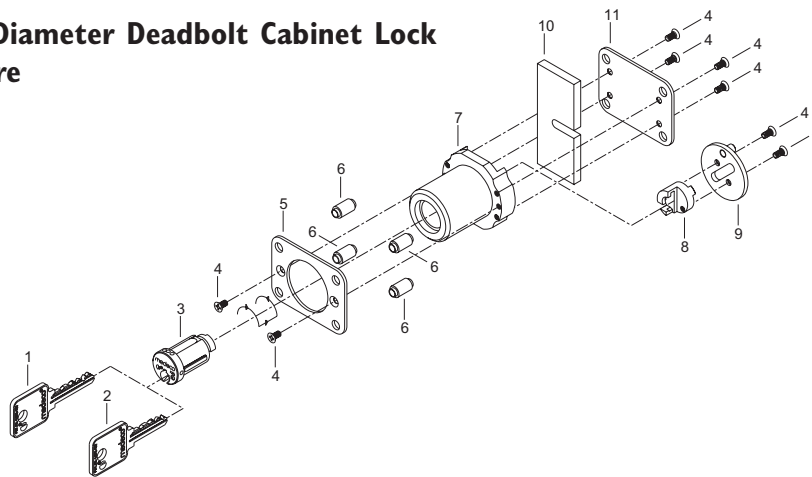
**Operation:** Four pin, key retaining cylinder for both standard and removable core version. 155° clockwise rotation to fully retract bolt.





## 1 1/8" Diameter Deadbolt Cabinet Lock Removable Core

### 4 Pin, 1 1/8" Diameter Deadbolt Cabinet Lock Removable Core



#### ITEM

#### DESCRIPTION

1	Operating Key (4 Pin key to operate lock).
2	Control Key (5 Pin key for removing core).
3	Plug Assembly
4	4-40 Screw
5	Front Plate
6	Screw Guide
7	Shell
8	Actuator
9	Drive Assembly
10	Deadbolt
11	Back Plate

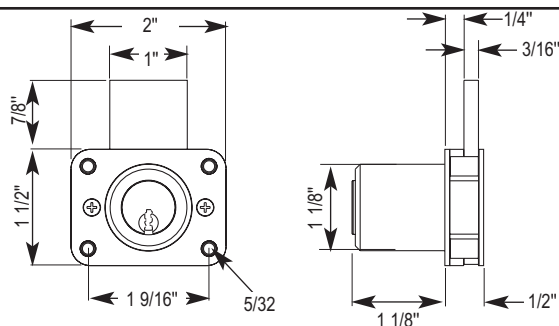
**Specifications:** Medeco 1 1/8" diameter deadbolt cabinet locks with the removable core function provide superior security over standard cam and cabinet locks. Oversized deadbolt with full 7/8" throw and multipoint fastening of lock to mounting surface prevent illicit forced entry. Removable core function allows for instantaneous re-keying in case of lost or stolen keys. Typical applications include cash drawers, utility access doors, display cases, and other types of cabinet applications where higher security is required. Retrofits Best 3L, Olympus 721, and Schlage CL.

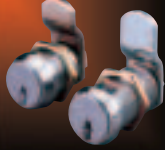
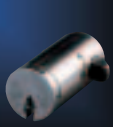
**Material:** Plug and shell made from chrome plated (626 finish) half hard brass. Drive assembly is nickel plated brass. Front & back plate as well as bolt made of nickel plated steel.

**Operation:** Four pin removable core model available. Key retaining cylinders only. 180 degree clockwise rotation to fully retract bolt.

### 1 1/8" Diameter Deadbolt Cabinet Lock Removable Core Dimensions:

Part Number	Description
62X80554-	1 1/8" Deadbolt, Fixed Core
62-80514-	1 1/8" Deadbolt Assembly Less Core

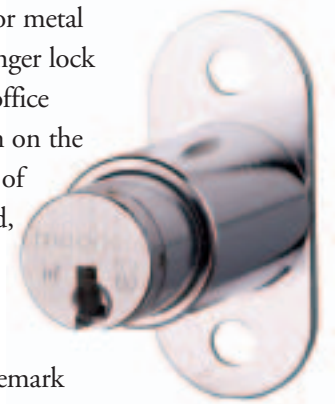




# Plunger Locks

Medeco high security plunger locks are specifically designed for use in wooden or metal sliding doors. Complete with a spring loaded pop out cylinder, the Medeco plunger lock is ideal for security merchandise showcases, metal cabinets, and laboratory and office furniture. Plunger locks require no key when locking the device; simply push in on the cylinder to relock. Patented key programs prevent the unauthorized duplication of keys and maintain system integrity. Keyed alike, keyed different, or master keyed, the Medeco plunger lock is the perfect solution for your security needs.

The Medeco<sup>3</sup> unique design provides triple locking action, making the locks virtually pickproof. All Medeco<sup>3</sup> keys and locks are protected under patent trademark and copyright laws. Medeco<sup>3</sup> keys may only be duplicated by Medeco or an authorized Medeco Service Center, and only at your request.



## Benefits:

- ▼ Medeco high security plunger locks are constructed of durable machined brass and solid steel components.
- ▼ Unique elevating and rotating tumbler pin system is virtually pick proof.
- ▼ Patented Medeco<sup>3</sup> keys may only be duplicated by Medeco or an authorized Medeco Service Center, and only at your request.
- ▼ Medeco cabinet locks are completely serviceable, and can be re-keyed in case of lost or stolen keys
- ▼ Medeco cabinet locks can be keyed in with other 60 series products (10 series products may be keyed into existing 60 series systems)
- ▼ Locks can be keyed alike, keyed different, or master keyed depending on your specific needs.

## Applications:

Medeco high security cabinet locks are specifically designed for use in metal or wooden sliding door applications including jewelry and other merchandise showcases, metal cabinets, laboratory and office furniture.

## Certification:

Lock - UL<sup>®</sup> 437 Listed

## Warranty:

Warranted for two years against manufacturer's defects. See Medeco limited Warranty for full details.

## Technical Information:

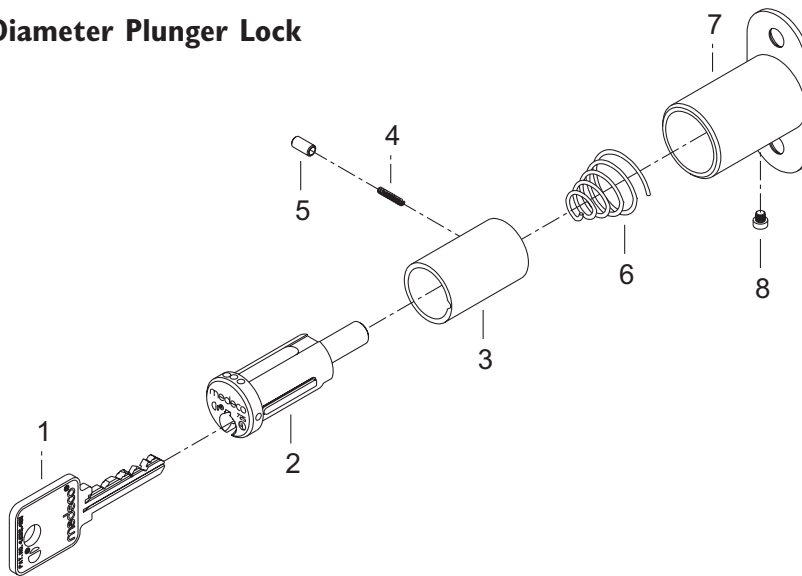
Four and five pin models available. Non-key retaining cylinders. 45 degree clockwise rotation to unlock.

## Finishes:

26 Satin chrome finish standard.

## 1 5/16" Diameter Plunger Lock

### 5 Pin, 1 5/16" Diameter Plunger Lock



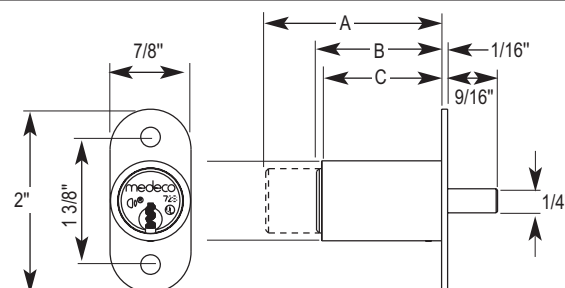
ITEM	DESCRIPTION
1	Key (Sold Separately)
2	Plug Assembly
3	Shell
4	Bolt Spring
5	Bolt
6	Plunger Spring
7	Housing
8	3-56 Screw

**Specifications:** Medeco plunger locks feature a spring loaded “pop-style” cylinder, specifically designed for use in wooden or metal sliding doors. Locking is accomplished by pushing on cylinder, extending plunger through back of housing, until bolt engages in latched position, no key required to lock. Typical applications include jewelry and other merchandise showcases, metal cabinets, laboratory and office furniture. Medeco plunger locks are completely serviceable, and can be re-keyed to new codes as required.

**Material:** Plug (including plunger) and shell made from chrome plated (626 finish) half hard brass. Bolt is nickel plated brass. Housing constructed from brass barrel and steel mounting plate, chrome (626) finish.

**Operation:** Four and five pin models available. Non-key retaining cylinders. 45 degree clockwise rotation to unlock.

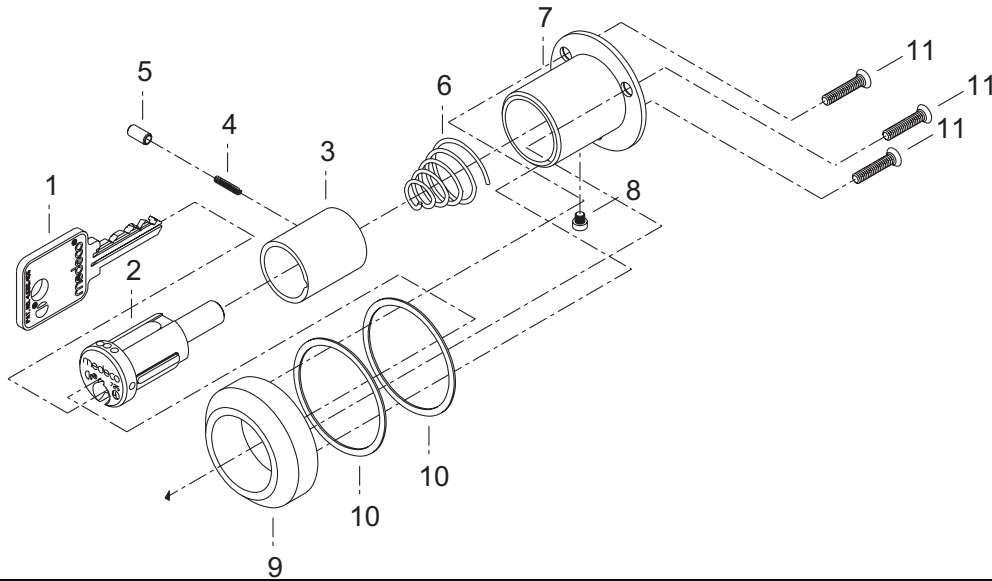
### 1 5/16" Diameter Plunger Lock Dimensions:



Part Number	# of Pins	A	B	C
62X21553X-	4	1	1 1/16"	1 5/8"
62X21555X	5	1 5/16"	1 3/8"	1 7/8"

# Technical Drawings

## 1 5/16" Diameter Glass Mount Plunger Lock



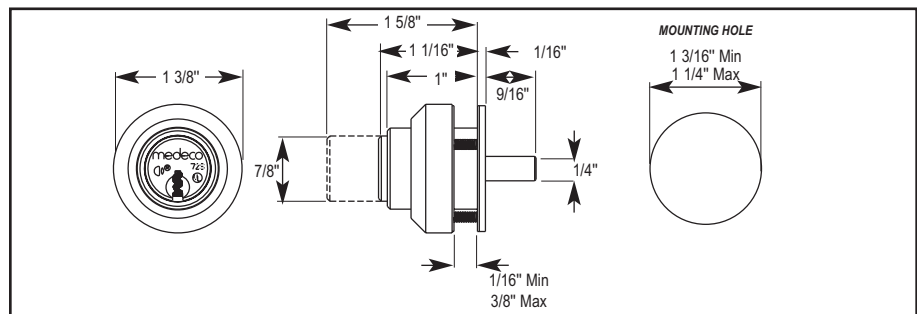
ITEM	DESCRIPTION
1	Key (Sold Separately)
2	Plug Assembly
3	Shell
4	Bolt Spring
5	Bolt
6	Plunger Spring
7	Housing
8	3-56 Screw
9	Collar
10	Washer
11	4-40 Screw x 9/16

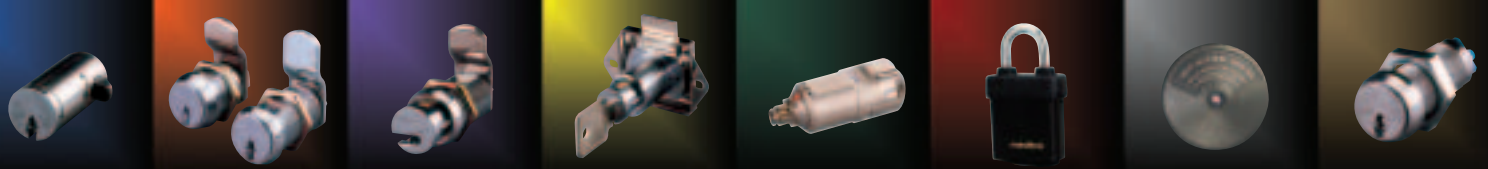
**Specifications:** Medeco glass mount plunger locks feature a spring loaded “pop-style” cylinder, specifically designed for use in glass sliding doors, 1/16” to 3/8” thick (with screws provided.) Locking is accomplished by pushing on cylinder, extending plunger through back of housing, until bolt engages in latched position, no key required to lock. Typical applications include jewelry and other merchandise showcases, metal cabinets, laboratory and office furniture. Medeco plunger locks are completely serviceable, and can be re-keyed to new codes as required.

**Material:** Plug (including plunger), shell and collar made from chrome plated (626 finish) half hard brass. Bolt is nickel plated brass. Housing constructed from brass barrel and steel mounting plate, chrome (626 finish.)

**Operation:** Four pin model available. Non-key retaining cylinder. 45 degree clockwise rotation to unlock.

**Dimensions:**





# Showcase Locks

The Medeco® high security showcase lock is specifically designed for installation on sliding cabinet door applications that require extra protection beyond what ordinary showcase locks provide. Complete with a solid steel locking bar and anti-spread housing, the Medeco showcase lock is ideal for securing showcases and cabinets where two sliding surfaces are to be locked. No other lock can be compared with Medeco's proven track record of security and long term reliability. Patented key programs prevent the unauthorized duplication of keys and maintain system integrity. Keyed alike, keyed different, or master keyed, the Medeco showcase lock is the perfect solution for your showcase security needs.



The Medeco<sup>3</sup> unique design provides triple locking action, making the locks virtually pick proof. All Medeco<sup>3</sup> keys and locks are protected under patent, trademark, and copyright laws. Medeco<sup>3</sup> keys may only be duplicated by Medeco or by an authorized Medeco Service Center, and only at your request.

## Benefits:

- ▼ Solid machined brass plug, high density zinc die cast housing, and nickel plated steel locking bar
- ▼ Unique elevating and rotating tumbler pin system is virtually pick proof.
- ▼ Patented Medeco<sup>3</sup> keys may only be duplicated by Medeco or authorized Medeco Service Center, and only at your request.
- ▼ Medeco locks are completely serviceable, and can be re-keyed in case of lost or stolen keys
- ▼ Medeco locks can be keyed in with other 60 series products (10 series products may be keyed into existing 60 series systems)
- ▼ Locks can be keyed alike, keyed different, or master keyed depending on your specific needs.

## Applications:

Medeco high security showcase locks are specifically designed to secure showcase or cabinets where two sliding doors need to be secured, including:

- Jewelry and Electronics Showcases
- Drug and Medical Cabinets
- Laboratory
- Furniture
- Office Credenzas

## Warranty:

Warranted for two years against manufacturer's defects. See Medeco limited Warranty for full details.

## Technical Information:

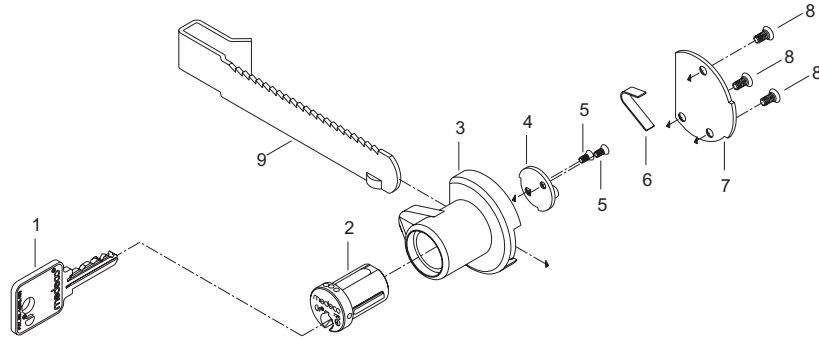
Four pin key retaining cylinder is standard. Self-locking latch, 90° counterclockwise rotation to unlock. Keyed alike, keyed different, or master keying available.

## Finishes:

26 Satin chrome finish standard. Other finishes available, depending on volume.

# Exploded View

## SHOWCASE LOCK



ITEM	DESCRIPTION
1	Key
2	Plug Assembly
3	Housing
4	Actuator
5	2-56 Actuator Screw
6	Spring
7	Cover Plate
8	4-40 Assembly Screw
9	Locking Bar

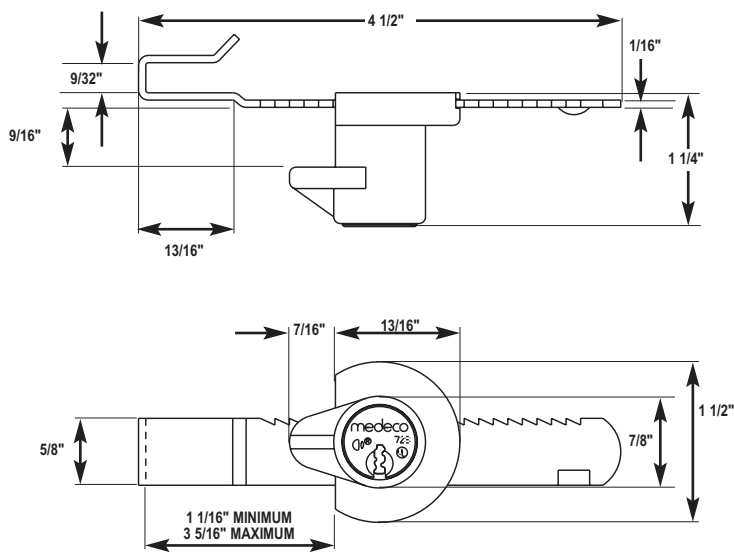
# Technical Drawings

**Specifications:** Medeco® self-locking ratchet lock is designed for installation on sliding cabinet doors measuring up to 1/4" in thickness. Complete with anti-spread housing, these locks are the perfect solution for securing showcases, jewelry cabinets, medical/laboratory furniture, office credenzas, etc... Medeco ratchet locks are completely serviceable and can be re-keyed to new codes as required.

**Material:** Plug constructed from half hard brass, zinc die cast housing, chrome plated finish (US626) is standard. Locking bar is nickel-plated steel.

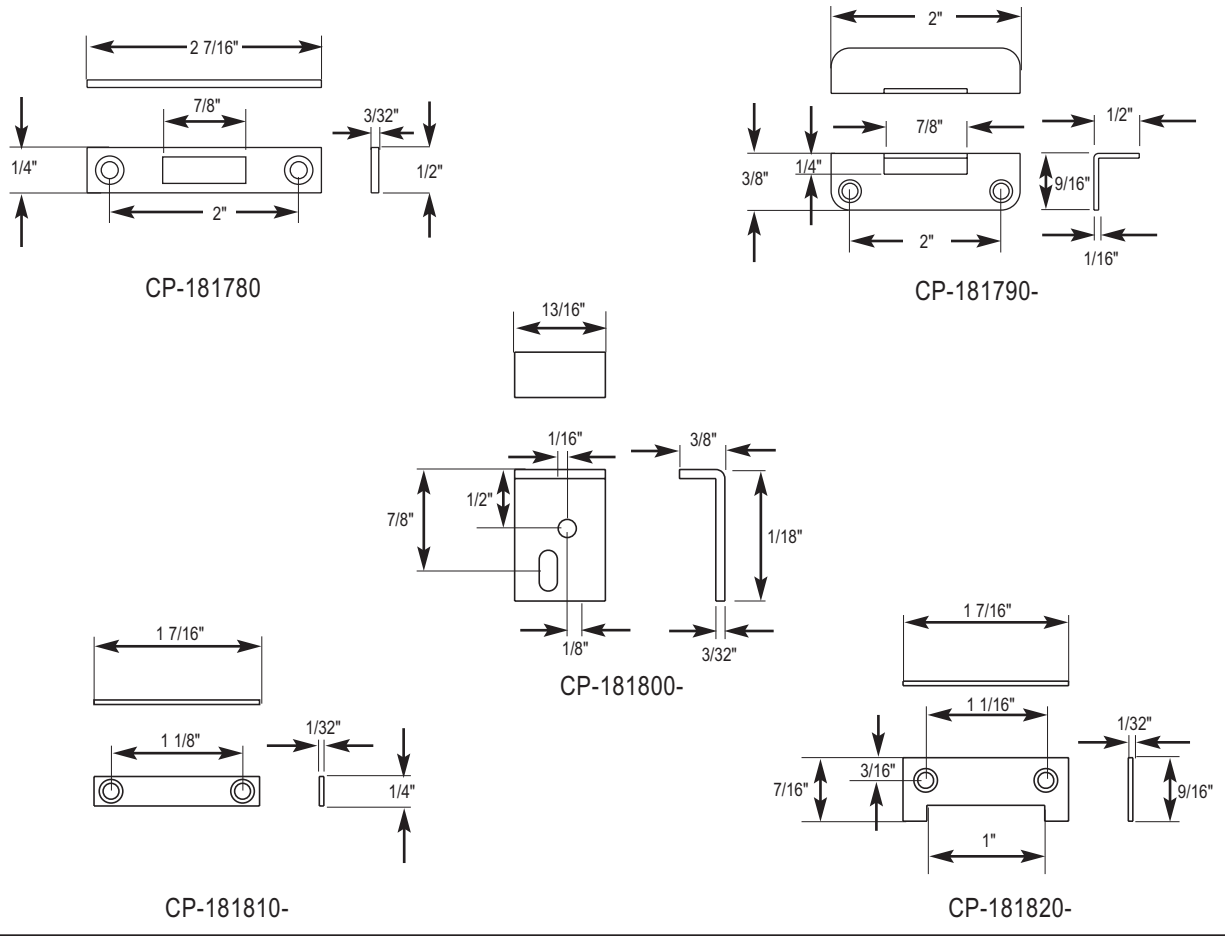
**Operation:** Four pin, key retaining cylinder is standard. 90° counterclockwise rotation to unlock.

## DIMENSIONS



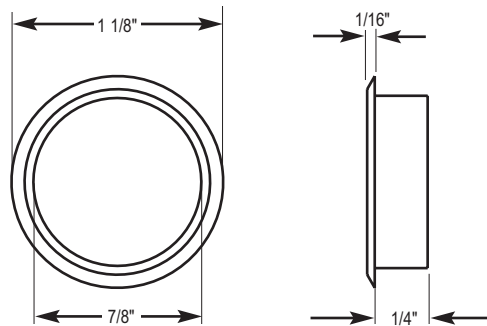
# Medeco Cabinet Lock Accessories

## STRIKES



All strike plates are made of nickel plated steel

## ESCUTCHEON RING



CP-181830-

Escutcheon ring is chrome plated brass





# MetroLock Padlock

The Medeco MetroLock features a hardened, solid steel body, boron alloy shackle, dual ball bearing locking mechanism, and patent protected key control. The MetroLock is available in multiple shackle lengths to fit any vendor's specific requirements.

Every padlock cylinder is UL 437 Listed and can be keyed into any existing T-handle cylinder, cam lock, switch lock, or other Medeco 60 series system. The Medeco<sup>3</sup> unique design provides triple locking action, making the locks virtually pickproof. All Medeco<sup>3</sup> keys and locks are protected under patent trademark and copyright laws. Medeco<sup>3</sup> keys may only be duplicated by Medeco or an authorized Medeco Service Center, and only at your request.



## Benefits:

- ▼ Hardened stainless steel inserts inside the cylinder provide the ultimate defense against drill, pull, punch, and other forms of physical attack.
- ▼ Unique elevating and rotating tumbler pin system is virtually pick proof.
- ▼ Hardened solid steel, chrome plated body.
- ▼ All Medeco cylinders are constructed of durable machined brass components, designed to last the life of your equipment.
- ▼ Patented Medeco<sup>3</sup> keys may only be duplicated by Medeco or authorized Medeco Service Center, and only at your request.
- ▼ MetroLock padlocks are completely serviceable, and can be re-keyed in case of lost or stolen keys.
- ▼ MetroLock padlocks can be keyed in with other 60 series products (10 series products may be keyed into existing 60 series systems).
- ▼ Locks can be keyed alike, keyed different, or master keyed depending on your specific needs.
- ▼ Available in a variety of different shackle lengths.

## Applications:

MetroLock pad locks can be used a variety of different applications including vending, storage and transportation.

## Warranty:

Warranted for two years against manufacturer's defects. See Medeco limited Warranty for full details.

## Technical Information:

Body is chrome plated steel.

Shackles are 5/16" diameter Boron Alloy.

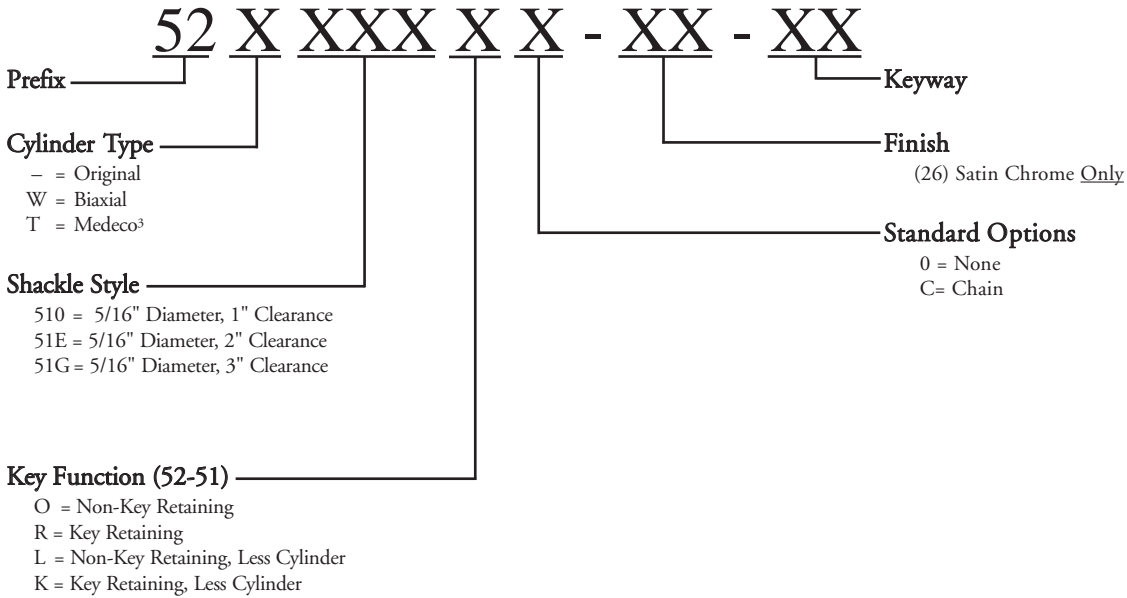
Available in 1", 2" and 3" shackle clearance.

Use Medeco 60 Series keying system.

## Finishes:

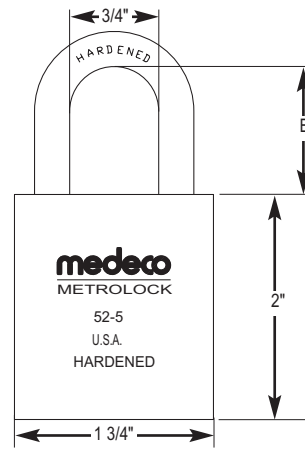
26 Satin chrome finish standard. Other finishes available, depending on volume.

# Ordering Instructions



# Technical Drawings

## METRO PADLOCK



Part #	Shackle Diameter	Thickness	Shackle Clearance (B)
52T510	5/16"	1 1/8"	1
52T51E	5/16"	1 1/8"	2
52T51G	5/16"	1 1/8"	3

# Medeco Padlocks

The new Medeco® padlock series is a complete line of premium high security or key control only padlocks that can be master keyed into most existing Medeco<sup>3</sup> key systems using door hardware cylinders. This means Medeco padlocks can share the same key as the facility doors and utilize the same security principles.

These padlocks are available in three distinct body styles: **Weather Resistant**, **Shrouded Shackle**, and **Hockey Puck**. The protective shroud on the shrouded shackle model nearly eliminates the risk of having the shackle cut by a bolt cutter. The weather guard protects the padlock, its cylinder and other components from water, dust, and grime. The Hockey Puck is a shackle-less design for the highest level of protection against bolt cutter attacks.



Made of solid brass, the traditional padlock bodies are available in three different styles to accept different door hardware cylinders: knob-style, large format interchangeable core, and small format interchangeable core. The Hockey Puck bodies are constructed of solid steel with a black chrome finish.

## Technical Information:

- ▼ Solid brass body provides strength and protection against forced attacks and outstanding resistance to the elements
- ▼ Boron alloy steel shackle resists cutting and pulling attacks
- ▼ Hardened stainless steel shackles available for enhanced corrosion resistance
- ▼ Thermoplastic body cover and cylinder dust cover on all models resist chemicals, water, heat, and scratching
- ▼ Weather seals around shackle legs prevent dirt, dust, water, and other contaminants from entering the padlock
- ▼ Solid cast iron shackle guard to protect against bolt cutter attacks provides maximum shackle protection on shrouded models. Shrouded models do not include weather seals
- ▼ Standard body padlocks use 6 Pin key-in-knob type cylinders
- ▼ Hockey Puck style padlocks use 5 Pin key-in-knob type cylinders

## Warranty:

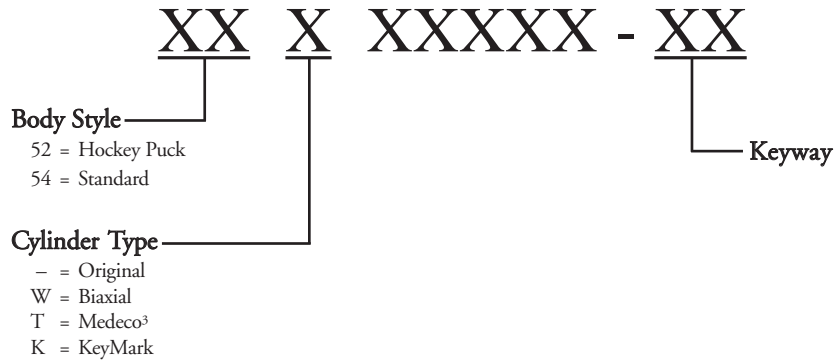
Warranted for two years against manufacturing defects. See Medeco Limited Warranty for full details

# Ordering Instructions

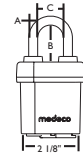
---

## *How To Order Padlocks*

1. Select Part Number from the charts on the following pages.
2. Select the cylinder type.
3. Specify the keyway.

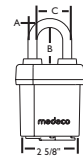


## Indoor/Outdoor Padlock With 5/16" Diameter Boron Alloy Steel Shackle



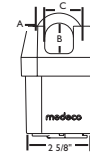
Description	Part Number	Shackle Dimensions		
		A	B	C
Indoor/Outdoor Padlock, Non-Key Retaining, 1 1/8" Shackle Clearance, With Cylinder	54X51500 -	5/16"	1 1/8"	7/8"
Indoor/Outdoor Padlock, Key Retaining, 1 1/8" Shackle Clearance, With Cylinder	54X515R0 -	5/16"	1 1/8"	7/8"
Indoor/Outdoor Padlock, Non-Key Retaining, 2 3/8" Shackle Clearance, With Cylinder	54X51F00 -	5/16"	2 3/8"	7/8"
System Series Padlock, Key Retaining, 2 3/8" Shackle Clearance, With Cylinder	54X51FR0 -	5/16"	2 3/8"	7/8"
Less Cylinder Description	Part Number	Shackle Dimensions		
Indoor/Outdoor Padlock, Non-Key Retaining, 1 1/8" Shackle Clearance, Less Cylinder	54-515L0 -	5/16"	1 1/8"	7/8"
Indoor/Outdoor Padlock, Key Retaining, 1 1/8" Shackle Clearance, Less Cylinder	54-515K0 -	5/16"	1 1/8"	7/8"
Indoor/Outdoor Padlock, Non-Key Retaining, 2 3/8" Shackle Clearance, Less Cylinder	54-51FL0 -	5/16"	2 3/8"	7/8"
Indoor/Outdoor Padlock, Key Retaining, 2 3/8" Shackle Clearance, Less Cylinder	54-51FK0 -	5/16"	2 3/8"	7/8"

## Indoor/Outdoor Padlock With 7/16" Diameter Boron Alloy Steel Shackle



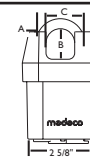
Description	Part Number	Shackle Dimensions		
		A	B	C
Indoor/Outdoor Padlock, Non-Key Retaining, 1 3/8" Shackle Clearance, With Cylinder	54X71500 -	7/16"	1 3/8"	7/8"
Indoor/Outdoor Padlock, Key Retaining, 1 3/8" Shackle Clearance, With Cylinder	54X715R0 -	7/16"	1 3/8"	7/8"
Indoor/Outdoor Padlock, Non-Key Retaining, 1 7/8" Shackle Clearance, With Cylinder	54X71F00 -	7/16"	1 7/8"	7/8"
Indoor/Outdoor Padlock, Key Retaining, 1 7/8" Shackle Clearance, With Cylinder	54X71FR0 -	7/16"	1 7/8"	7/8"
Less Cylinder Description	Part Number	Shackle Dimensions		
Indoor/Outdoor Padlock, Non-Key Retaining, 1 3/8" Shackle Clearance, Less Cylinder	54-715L0 -	7/16"	1 3/8"	7/8"
Indoor/Outdoor Padlock, Key Retaining, 1 3/8" Shackle Clearance, Less Cylinder	54-715K0 -	7/16"	1 3/8"	7/8"
Indoor/Outdoor Padlock, Non-Key Retaining, 1 7/8" Shackle Clearance, Less Cylinder	54-71FL0 -	7/16"	1 7/8"	7/8"
Indoor/Outdoor Padlock, Key Retaining, 1 7/8" Shackle Clearance, Less Cylinder	54-71FK0 -	7/16"	1 7/8"	7/8"

## Shrouded Indoor/Outdoor Padlock With 5/16" Diameter Boron Alloy Steel Shackle



Description	Part Number	Shackle Dimensions		
		A	B	C
Shrouded Indoor/Outdoor Padlock, Non-Key Retaining, 3/4" Shackle Clearance, With Cylinder	54X52500 -	5/16"	3/4"	7/8"
Shrouded Indoor/Outdoor Padlock, Key Retaining, 3/4" Shackle Clearance, With Cylinder	54X525R0 -	5/16"	3/4"	7/8"
Less Cylinder Description	Part Number	Shackle Dimensions		
A	B	C		
Shrouded Indoor/Outdoor Padlock, Non-Key Retaining, 3/4" Shackle Clearance, Less Cylinder	54-525L0 -	5/16"	3/4"	7/8"
Shrouded Indoor/Outdoor Padlock, Key Retaining, 3/4" Shackle Clearance, Less Cylinder	54-525K0 -	5/16"	3/4"	7/8"

## Shrouded Indoor/Outdoor Padlock With 7/16" Diameter Shackle



Description	Part Number	Shackle Dimensions		
		A	B	C
Shrouded Indoor/Outdoor Padlock, Non-Key Retaining, 3/4" Shackle Clearance, With Cylinder	54X72500 -	7/16"	3/4"	7/8"
Shrouded Indoor/Outdoor Padlock, Key Retaining, 3/4" Shackle Clearance, With Cylinder	54X725R0 -	7/16"	3/4"	7/8"

## 52-9 Series Hockey Puck Padlock



Description	Part Number
Hockey Puck Padlock, Key Retaining	52X93000

## Padlock Cylinders

MEDECO <sup>3</sup> Premium High Security Description	Part Number
6 Pin Cylinder for Medeco Padlock	51-0600 -
5 Pin Cylinder for Hockey Puck Style Padlock	20-0160-XX

**Components****Part Number**

Component Package for Medeco Padlocks, Non Key Retaining. Includes: CP-130510 Cylinder Extension/Actuator, Spring & Washer, CP-022030 Cylinder Retainer, CP-011511-000 Retainer Screw, CP-250140 Steel Ball Bearing	94-0199
--	---------

Cylinder Retainer Sleeve (Fits Over Cylinder Bible Chamber & Holds Cylinder in Padlock Body)	CP-022030
---	-----------

Retainer Screw, #6-32 UNC-2A x .312" Length	CP-011511-000
---	---------------

Cylinder Extension/Actuator, Non Key Retaining, Spring & Washer for 54 Series Padlocks,	CP-130510
--	-----------

Stainless Steel Ball Bearing for 54 Series Padlocks, .360" Diameter	CP-250140
--	-----------

Cylinder Extension/Actuator, Key Retaining, for 54 Series Padlocks	CP-200720
---	-----------

**Shackles for Indoor/  
Outdoor Padlocks****Boron Alloy Steel  
Part Number****Stainless Steel  
Part Number**

Standard Shackle for 54-51 Indoor/Outdoor Padlock, 1-1/8" Shackle Clearance x 5/16" Diameter	CP-144120	CP-144180
---	-----------	-----------

Extra Length Shackle for 54-51 Indoor/Outdoor Padlock, 2-3/8" Shackle Clearance x 5/16" Diameter	CP-144130	CP-144190
---	-----------	-----------

Standard Shackle for 54-71 Indoor/Outdoor Padlock, 1-3/8" Shackle Clearance x 7/16" Diameter	CP-144150	CP-144210
---	-----------	-----------

Extra Length Shackle for 54-71 Indoor/Outdoor Padlock, 1-7/8" Shackle Clearance x 7/16" Diameter	CP-144160	CP-144220
---	-----------	-----------

**Shackles for  
Shrouded Padlocks****Boron Alloy Steel  
Part Number****Stainless Steel  
Part Number**

Standard Shackle for 54-52 Shrouded Padlock, 3/4" Shackle Clearance x 5/16" Diameter	CP-144110	CP-144170
---	-----------	-----------

Standard Shackle for 54-72 Shrouded Padlock, 3/4" Shackle Clearance x 7/16" Diameter	CP-144140	CP-144200
---	-----------	-----------





# Parking - Mechanical Locks

Unattended multi-space and single space parking meters make tempting targets for would be thieves. That's why Medeco® is the best choice to guard your parking revenues. As with all Medeco 60 series products, Medeco parking cylinders utilize hardened stainless steel inserts throughout the lock to provide the ultimate defense against drilling, pulling, and other forms of physical attack, all too common in the parking world. With patented key programs to prevent unauthorized key duplication, Medeco cylinders protect against illicit access to your parking profits. Medeco high security lock cylinders can retrofit into a number of MacKay, Duncan, and POM single and duplex housings (Some doors may require modification to accept cylinder), as well as a number of multi-space stations.



The Medeco<sup>3</sup> unique design provides triple locking action, making the locks virtually pick proof. All Medeco<sup>3</sup> keys and locks are protected under patent, trademark, and copyright laws. Medeco<sup>3</sup> keys may only be duplicated by Medeco or by an authorized Medeco Service Center, and only at your request.

## Benefits:

- ▼ All Medeco cylinders constructed of durable machined brass components, designed to last the life of your parking equipment.
- ▼ Hardened stainless steel inserts protect cylinder from drilling, and other forms of physical attack.
- ▼ Unique elevating and rotating tumbler pin system is virtually pick proof.
- ▼ Patented Medeco<sup>3</sup> keys may only be duplicated by Medeco or authorized Medeco Service Center, and only at your request.
- ▼ Medeco cylinders are completely serviceable, and can be re-keyed in case of lost or stolen keys.

## Applications:

Used in both service and vault door applications for MacKay, Duncan, or POM models. Some applications may require vault door modification.

## Warranty:

Warranted for two years against manufacturer's defects. See Medeco limited Warranty for full details.

## Certification:

UL® 437 Listed.

## Technical Information:

Cylinders available in either three, four, or five pin models, depending on application. Sample door and lock recommended to ensure proper fit and function. Some vault doors may require modification to receive Medeco cylinder.

## Finishes:

26 brushed chrome finish is standard. Other finishes may be available depending on volume.



# Integrated Electronic Vault Lock

The Integrated Electronic Vault Lock provides electronic access control, maintenance recording and coin data in one package. You control which meters can be opened and when. Every opening or attempted opening is recorded in a hand-held computer along with a complete log of maintenance requests and coin-count data.

The Medeco Electronic Vault Lock is integrated with the MacKay Guardian E-Purse Meter. Whenever the lock is opened, access and coin data are written to the hand-held.

The hand-held will store collection routes, access records, and coin data while also recording service requests. All of this information is uploaded to the host computer once the handheld is returned to its network cradle. No hardwiring is required at the lock because it derives all of its power from the handheld, and installation is the equivalent of installing a mechanical door.

The Electronic Vault Lock is built to the same physical security standards as the Medeco mechanical line, and provides strong resistance to all forms of physical attack, including punching and drilling.



## Benefits:

- ▼ Control access to every meter
- ▼ Track all collection activity - including openings and attempted openings of the lock
- ▼ Record data for all coin and debit transactions
- ▼ No physical wire connecting the door to the meter, provides increased durability of the system (no risk of the wires breaking due to use)
- ▼ Enter service requests into the same handheld computer used for collections

## Applications:

Used in Parking Meter applications where access control is needed along with audit, maintenance and revenue reporting.

## Warranty:

1 Year Manufacturer's Warranty

## Technical Information:

Vault door and lock are sold as a complete package.

Software is network compatible and built on a SQL platform.

Collection data is recorded by coin and currency denomination.

Handheld computer is required to power key, store collection routes and record audit and maintenance data.



# Electronic Vault Lock

The Electronic Vault Lock provides electronic access control and maintenance recording in one package. You control which meters can be opened and when. Every opening or attempted opening is recorded in a hand-held computer along with a complete log of maintenance requests.

The handheld will store collection routes, record service requests and maintain access records. All of this information is uploaded to the host computer once the handheld is returned for reprogramming. No hardwiring is required of the lock because it derives all of its power from the handheld, and installation is the equivalent of installing a mechanical door.

The Electronic Vault Lock is built to the same physical security standards as the Medeco mechanical line, and provides strong resistance to all forms of physical attack, including punching and drilling.



## Benefits:

- ▼ Control access to every meter
- ▼ Track all collection activity - including openings and attempted openings of the lock
- ▼ No physical wire connecting the door to the meter, provides increased durability of the system (no risk of the wires breaking due to use)
- ▼ Enter service requests into the same handheld computer used for collections

## Applications:

Used in Parking Meter applications where access control is needed along with audit and maintenance reporting.

## Warranty:

1 Year Manufacturer's Warranty

## Technical Information:

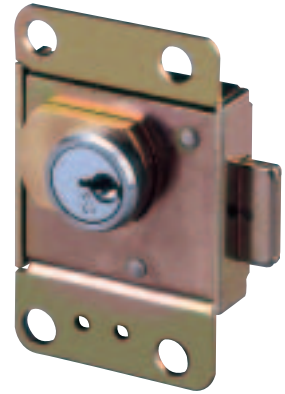
Vault door and lock are sold as a complete package. Software is network compatible and built on a SQL platform.

Handheld computer is required to power key, store collection routes and record audit and maintenance data.



# Payphone - Mechanical

Medeco® high security locks have protected pay telephone cash and components for over 30 years. No other lock company can compare to Medeco's proven track record of security and long term reliability in this highly theft prone market. Medeco payphone locks utilize hardened, stainless steel inserts throughout the cylinder, and hardened steel locking bolts and housings to provide the ultimate defense against drilling, pulling, and other forms of vandal attack. Patented key programs prevent the unauthorized duplication of keys. Medeco offers a complete line of pay telephone locks to fit Western Electric and GTE style payphones, upper and lower housings.



Medeco's unique elevate and rotate pin tumbler design provides double locking action, making cylinders virtually pick proof. All Medeco Biaxial® keys and cylinders are protected under patent, trademark, and copyright laws. Biaxial keys may only be duplicated by Medeco or by an authorized Medeco Service Center, and only at your request.

## Benefits:

- ▼ All Medeco cylinders constructed of durable machined brass components, designed to last the life of your pay phone.
- ▼ Hardened stainless steel inserts inside the cylinder, as well as hardened steel bolts and housing are the ultimate defense against drill, pull, punch, and other forms of physical attack.
- ▼ Unique elevating and rotating tumbler pin system is virtually pick proof.
- ▼ Patented Biaxial keys may only be duplicated by Medeco or authorized Medeco Service Center, and only at your request.
- ▼ Medeco pay telephone locks can be re-keyed by Medeco factory or authorized Medeco Service Center.

## Applications:

Medeco has pay telephone locks to fit any Western Electric or GTE style payphone, both upper service and lower vault housing.

## Warranty:

Warranted for two years against manufacturer's defects. See Medeco limited Warranty for full details.

## Technical Information:

Western upper and lower locks available in four pin models with hardened steel guard collar. Less shield, single or double shield available depending on application, brand and model payphone.

GTE upper locks available in three pin models. Adjustable cam and roller assembly, and spanner nut mounting.

GTE lower locks available in four pin model. Can be keyed into other 10 and 60 series Biaxial systems.

## Finishes:

26 brushed chrome finish.

# Door Security

In addition to the variety of industrial security solutions available in this catalog, Medeco also offers a complete line of door security products that can be purchased through a network of authorized Medeco dealers and distributors. These products range from a new line of decorative residential hardware to the renowned Maxum Deadbolt lock. In 2003, Medeco introduced the new Medeco<sup>3</sup>® locking system. Building on the success of the Original and Biaxial design, Medeco<sup>3</sup> offers a new patented system, and an increased level of security through the use of three distinct locking points. This design provides a heightened resistance to physical attack and raises the number of unique codes available for master key systems.



The Medeco<sup>3</sup> unique design provides triple locking action, making the locks virtually pick proof. All Medeco<sup>3</sup>® keys and locks are protected under patent, trademark, and copyright laws. Medeco<sup>3</sup>® keys may only be duplicated by Medeco or by an authorized Medeco Service Center, and only at your request.

Medeco leads the security industry in innovation and quality, guarding lives and assets at facilities worldwide, including government and military installations in the U.S. and abroad, schools and universities, hospitals and banks, homes and offices, and much more. Our proven security solutions offer flexible products with vast retrofit capabilities that include unsurpassed mechanical and patent protected key control.

Medeco has engineered cylinders and high security hardware to retrofit most major manufacturer's locksets, so institutions can maintain their initial hardware investment and still obtain a higher level of security. Medeco cylinders are available in many different designs including Rim, Mortise, Knob, and Interchangeable Core cylinders.

For more information about Medeco's door hardware solutions or to request a door security catalog, contact Medeco customer service at 1-800-839-3157 or via email at [customer-service@medeco.com](mailto:customer-service@medeco.com)

The door security product catalog includes:

- ▼ The Maxum Deadbolt lock
- ▼ Residential Locks
- ▼ Rim and Mortise Cylinders
- ▼ Knob cylinders
- ▼ Interchangeable Core cylinders
- ▼ Knob and Lever locksets



# Notes

# Notes

# Notes



# Notes

# Notes

# Notes

# Notes